



INSTALLATION INSTRUCTIONS

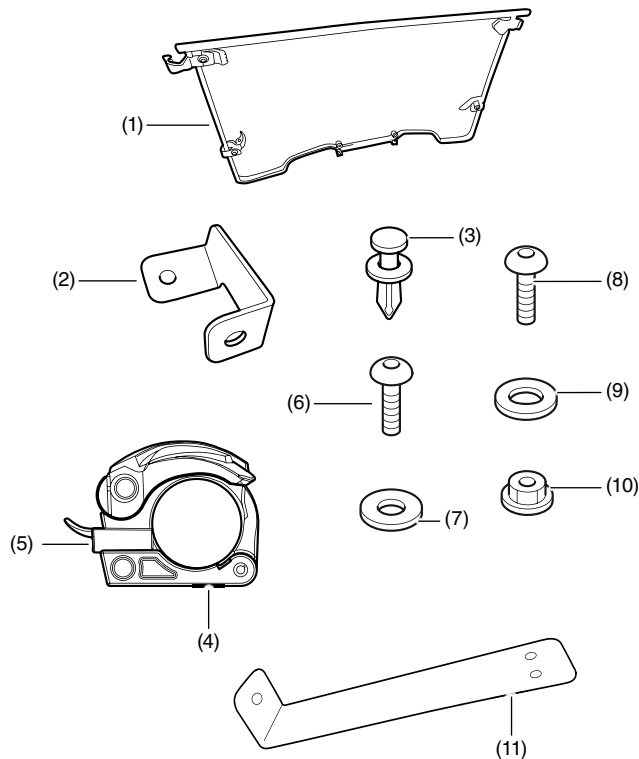
Accessory
**FULL POLY WINDSCREEN
(OPTICAL)
P/N 0SR73-HL3-200**

Application
SXS700M4/M2

Publication No.
MII 14607
Issue Date
January 2014

Honda Dealer: Please give a copy of these instructions to your customer.

PARTS LIST



No.	Description	Qty
(1)	Windscreen	1
(2)	Angle brackets	2
(3)	Trim clip	4
(4)	Cam lock	6
(5)	Rubber shipping spacer (Discard)	6
(6)	6 x 20 mm Torx bolt	4
(7)	Small 6 mm washer	4
(8)	6 x 25 mm Torx bolt	2
(9)	Large 6 mm washer	2
(10)	6 mm flange lock nut	2
(11)	Top bracket	2

TOOLS AND SUPPLIES REQUIRED

- Torx driver (T27)
- Power drill
- 9 mm drill bit (3/8 in)
- Torque wrench
- Open-end wrench (10 mm)

TORQUE VALUES

Tighten all screws, bolts, and nuts to their specified torque values. Refer to the Service Manual for the torque values of the removed parts.

Item	N-m	kgf-m	lbf-ft
6 mm Torx bolt	12	1.2	9

USE AND CARE INFORMATION

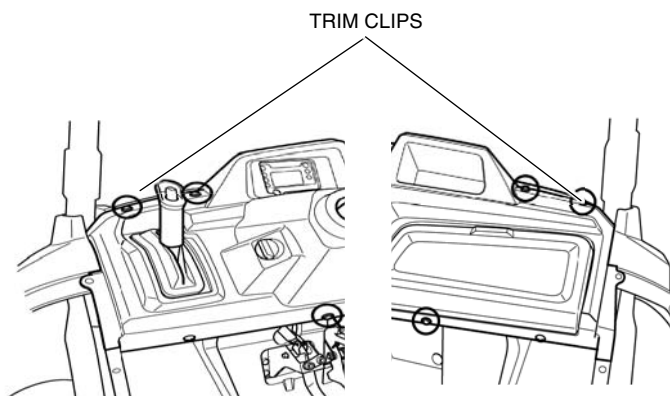
- Check the accessory mounts frequently and retighten if necessary.
- Replace this accessory with a new one if it is damaged or discolored excessively.
- When this accessory becomes dirty, rinse it thoroughly with cool water to remove loose dirt, and then wash with warm soapy water and a clean cloth or sponge.
- Do not use a brush to clean this accessory as it may scratch the surface.
- Never use petroleum solvents such as gasoline, thinner, and benzene, to clean this accessory. Also do not use acid or alkaline cleaners.

NOTE

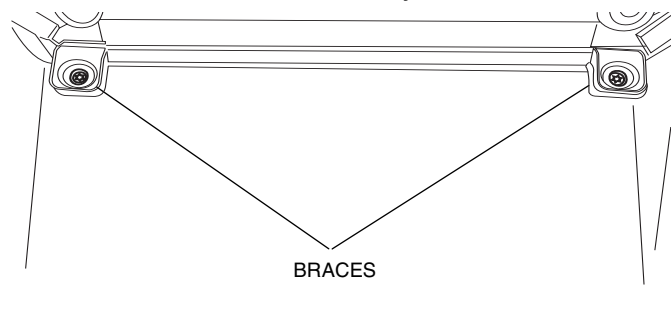
- Remove and discard the rubber shipping spacer from the cam lock before installation of this accessory.

INSTALLATION

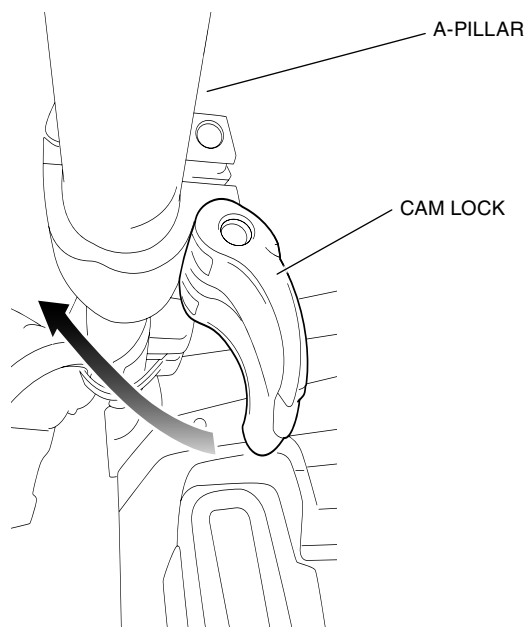
1. Remove the outer trim clips from the instrument panel as shown and save them for reuse.



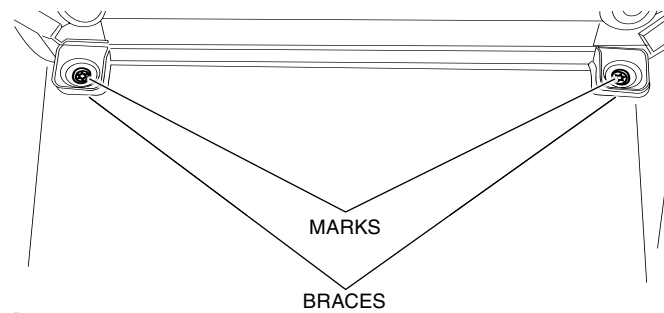
2. Place the windscreen onto the vehicle and seat the bottom of the windscreen onto the front hood as shown.
3. Push down on the windscreen gently to be sure that the braces are seated securely.



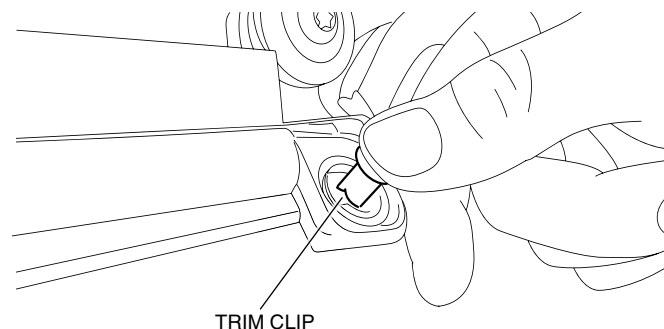
4. Lock all four windscreen cam-locks around the left and right cab frame A-pillars.
 - Remove and discard the rubber shipping spacer from the cam lock.



5. Using the windscreen braces as a guide, make a mark on the front hood through the hole in the brace.



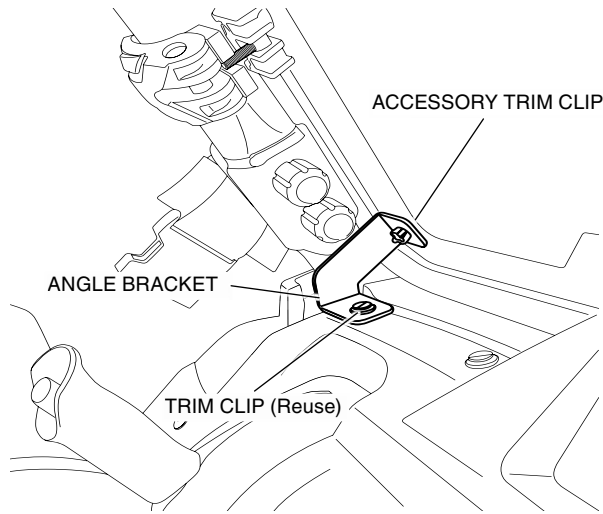
6. Remove the windscreen and drill holes with a 9 mm (3/8 in) drill bit through the marks on the front hood.
7. Reinstall the windscreen.
8. Lock the windscreen into place onto the front hood by placing trim clips through the windscreen braces and holes.



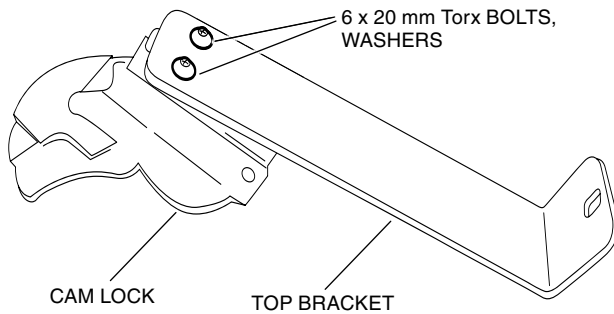
9. Install the angle brackets to the windshield using the included trim clips.

Install the windshield/brackets to the instrument panel as shown using the trim clips removed in Step 1.

<VIEW FROM INSIDE OF VEHICLE>

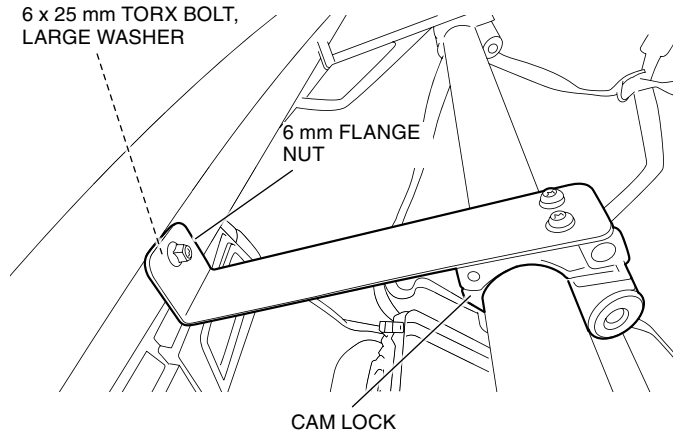


10. Assemble the top brackets and cam locks with the 6 x 20 mm Torx bolts and 6 mm small washers as shown. Loosely install the bolts.



11. Place the top bracket assemblies on the top cab frame crossbar without clamping the cam locks.

Install the 6 x 25 mm Torx bolt through the windshield and top bracket with the 6 mm large washer on the front side of the windshield and the 6 mm flange lock nut on the rear. Tighten the torx bolt to specification shown in the torque chart.



13. Clamp the cam locks around the cab frame crossbar and then tighten the 6 mm Torx bolts on each bracket assembly to the torque specified in the torque chart.

