

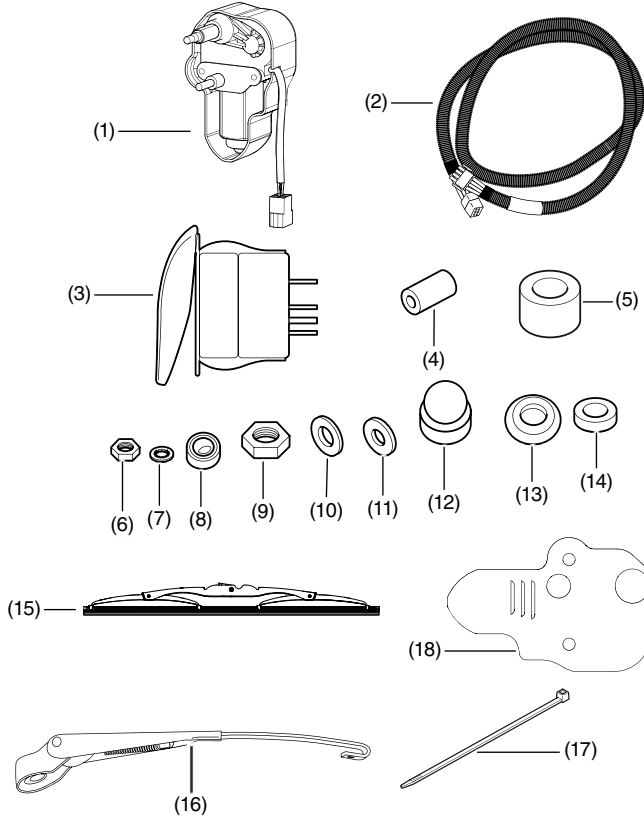


INSTALLATION INSTRUCTIONS

Accessory	Application	Publication No.
WINDSHIELD WIPER KIT P/N 0SE10-HL4-500	SXS1000M3/M3P/M5D/M5P	MII 15262
		Issue Date
		September 2015

Honda Dealer: Please give a copy of these instructions to your customer.

PARTS LIST



No.	Description	Qty
(1)	Motor	1
(2)	Wire harness	1
(3)	Switch	1
(4)	Small spacer	1
(5)	Large spacer	1
(6)	8 mm nut	2
(7)	Spindle arm washer	1
(8)	Spindle cap	1
(9)	Spindle nut	1
(10)	Plastic spindle washer	2
(11)	Rubber spindle washer	3
(12)	Stud cap	1
(13)	Metal stud washer	2
(14)	Rubber stud washer	2
(15)	Wiper blade	1
(16)	Wiper arm	1
(17)	Wire tie	8
(18)	Mounting plate	1

REQUIRED ACCESSORIES

Sold separately

The items below are required for the installation of this accessory.

- Glass Windshield
- Switch plate/Voltmeter/Wire Harness

TOOLS AND SUPPLIES REQUIRED

Wrench (13 mm and 22 mm)

Torque wrench

Thread lock (Loctite 242 "Blue" or equivalent)

Ratchet

Torx bit (T30)

TORQUE CHART

Tighten all screws, bolts, and nuts to their specified torque values.

Item	N-m	kgf-m	lbf-ft
16 mm nut	4	0.41	2.95
8 mm nut	6	0.61	4.42
8 mm nut (Step 15 only)	25	2.55	18

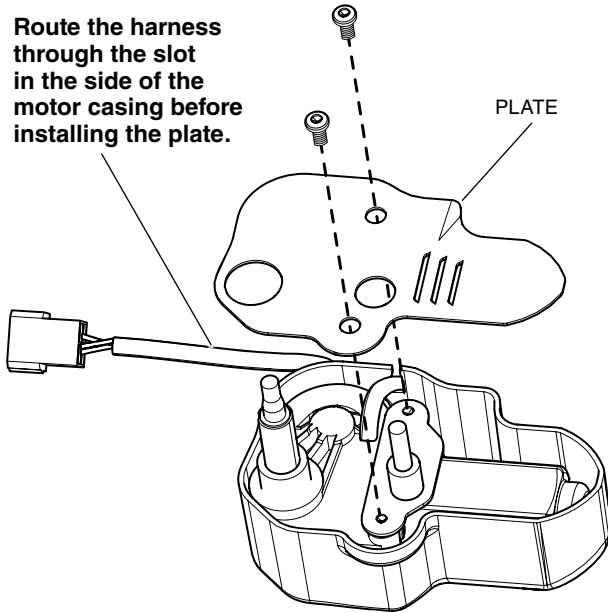
USE AND CARE INFORMATION

- Check the accessory mounts frequently and retighten if necessary.
- Replace this accessory with a new one if it is damaged or discolored excessively.
- When this accessory becomes dirty, rinse it thoroughly with cool water to remove loose dirt, and then wash with warm soapy water and a clean cloth or sponge.
- Never use petroleum solvents such as gasoline, thinner, and benzene, to clean this accessory. Also do not use acid or alkaline cleaners.

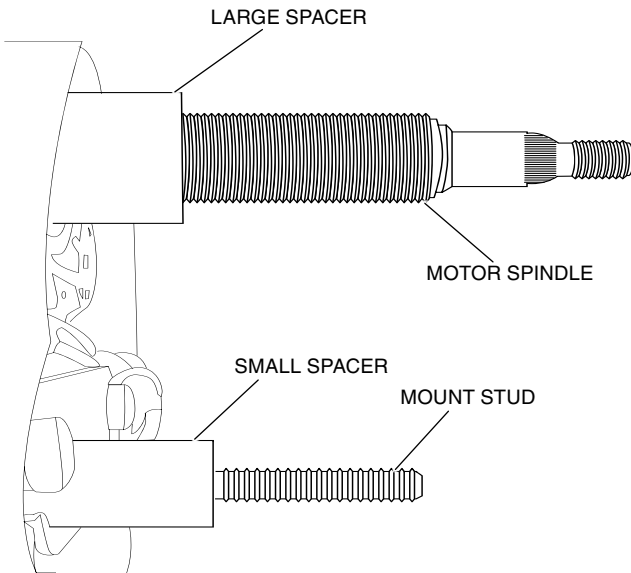
INSTALLATION

1. Install the accessory Glass Windshield and Switch plate/Voltmeter/Wire Harness.
2. Remove the two screws on the underside of the wiper motor as shown.
3. Install the plate to the wiper motor using the screws removed in Step 2.

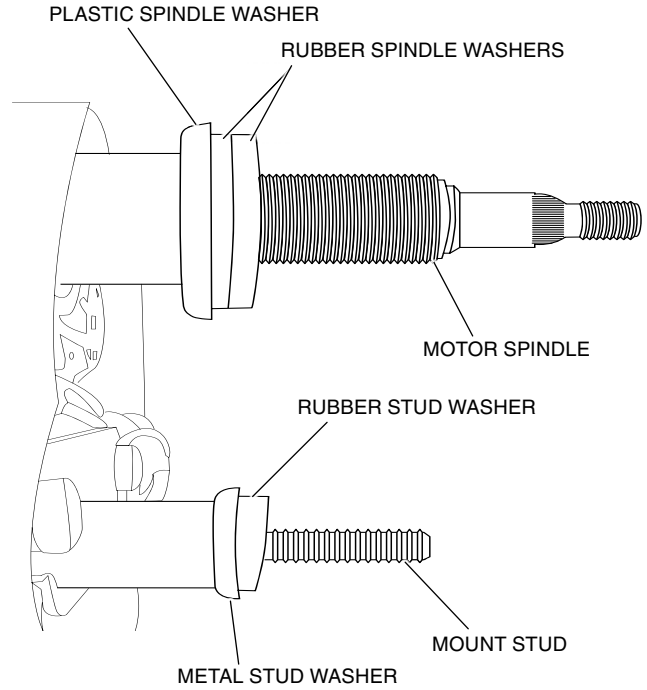
Route the harness through the slot in the side of the motor casing before installing the plate.



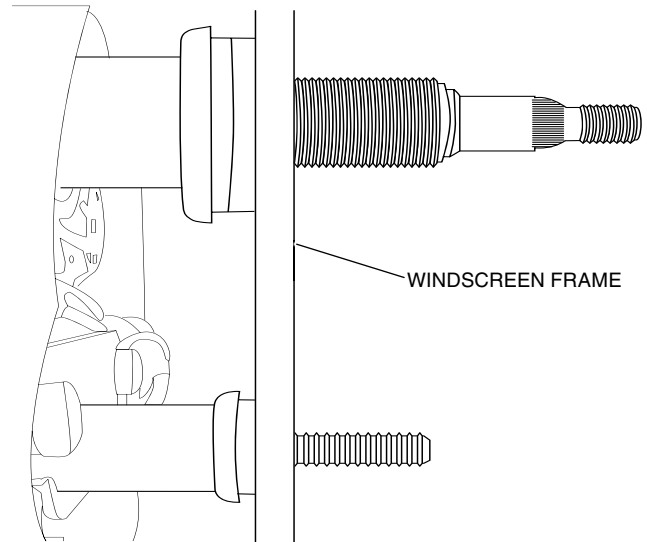
4. Remove plugs from the top of the glass windshield.
5. Slide the large spacer onto the motor spindle. Slide the small spacer onto the mount stud.



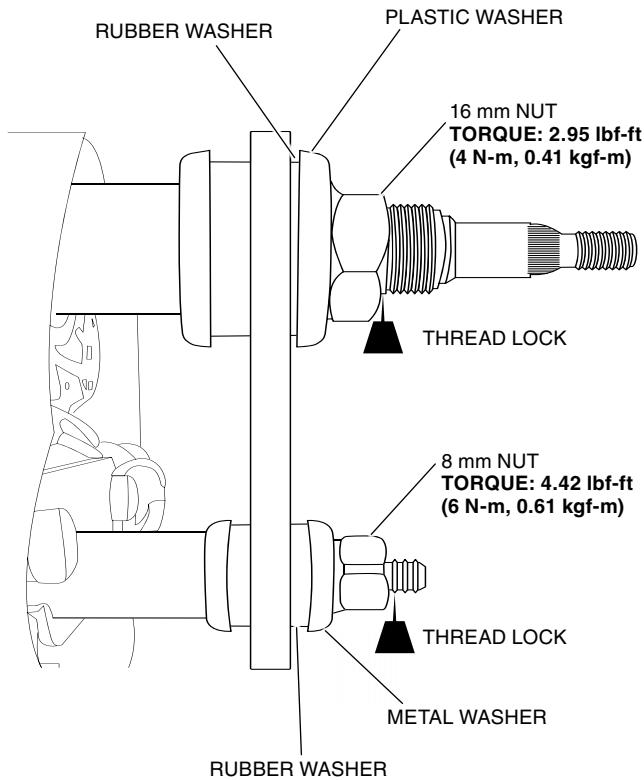
7. Slide a plastic spindle washer and then two rubber spindle washers onto the motor spindle. Slide a metal stud washer and then a rubber stud washer onto the mount stud.



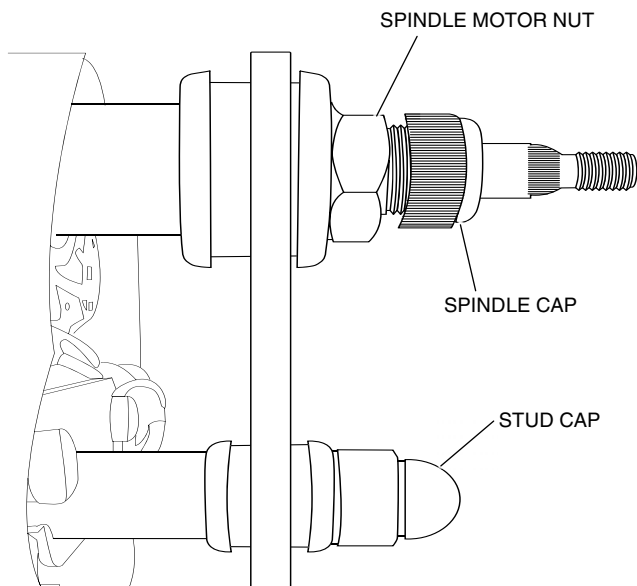
9. Insert the motor spindle and stud into the holes on the top of the windshield frame from inside the vehicle.



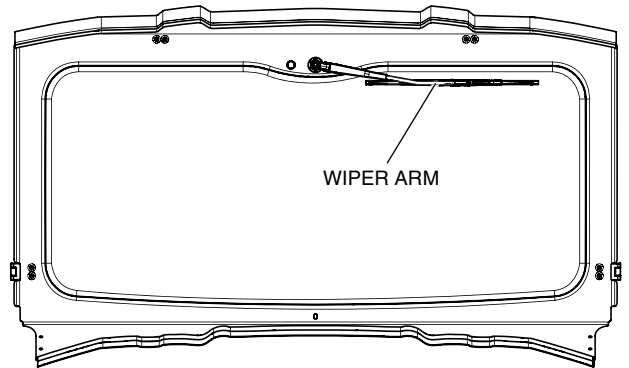
10. Slide a rubber spindle washer and then a plastic spindle washer onto the motor spindle.
Install the spindle nut using threadlock to secure it.
 - Tighten the nut to the specified value.
11. Slide a rubber stud washer and then a metal stud washer onto the mount stud.
Install the 8 mm nut using threadlock to secure it.
 - Tighten the nut to the specified value.



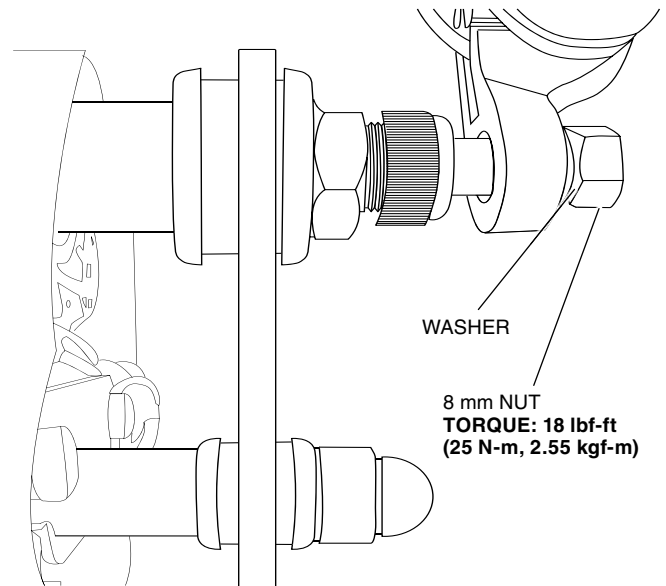
12. Press the spindle cap onto the motor spindle nut.
13. Press the stud cap onto the 8 mm nut.



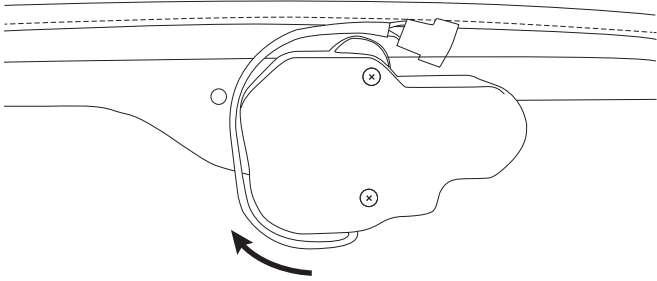
14. Install the wiper blade to the wiper arm. Install the assembled wiper arm onto the spindle and position it on the windshield parallel to the seal edge (park position) as shown.



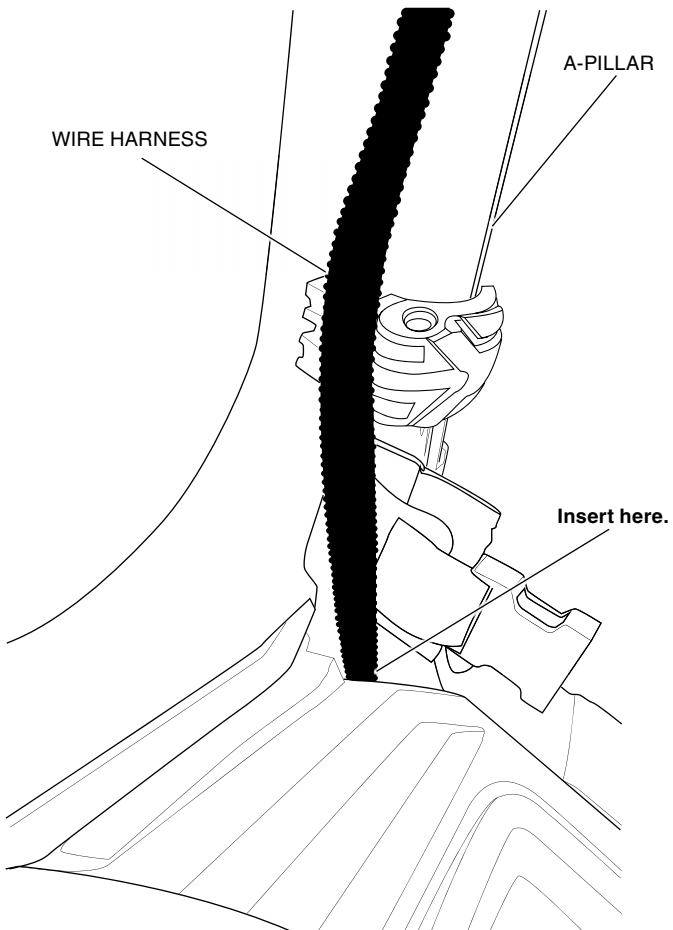
15. Install the spindle arm washer and then 8 mm nut onto the spindle. Tighten the nut to the specified value.



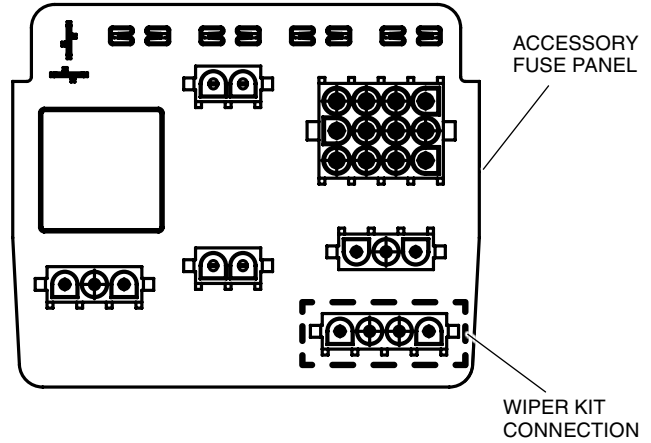
16. Wait 30 minutes and re-torque the spindle arm nut. The wiper system is now ready to run.
17. Pull the wire harness connector out to the left side and route it over the top of the motor as shown.



18. Connect the wire harness to the motor. Route the wire harness along the top of the windshield, and down the right A-pillar.
19. Insert the wire harness through the hole in the dash along the right A-pillar.



20. Pull the wire harness through the hole in the accessory fuse panel.
21. Connect the wire harness to the accessory fuse panel.



22. Install the fuse box cover.
23. Secure the wire harness to the vehicle frame at the desired locations with the included wire ties.