



INSTALLATION INSTRUCTIONS

Accessory

FABRIC REAR DOORS
P/N 0SR90-HL3-211B (Black)
0SR90-HL3-211C (Camo)

Application

SXS700M4

Publication No.

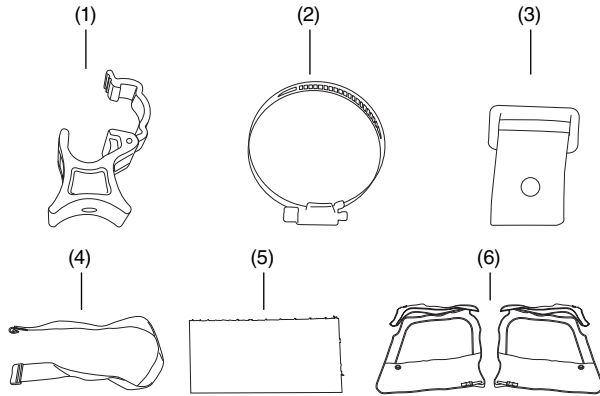
MII 14607

Issue Date

November 2013

Honda Dealer: Please give a copy of these instructions to your customer.

PARTS LIST



No.	Description	Qty
(1)	Locking hinge	6
(2)	Hose clamp	6
(3)	Strap w/loop loc	2
(4)	Strap w/J-Clip	2
(5)	Self adhesive hook fastener	2
(6)	Fabric door set (left and right)	1

TOOLS REQUIRED

Flathead screwdriver

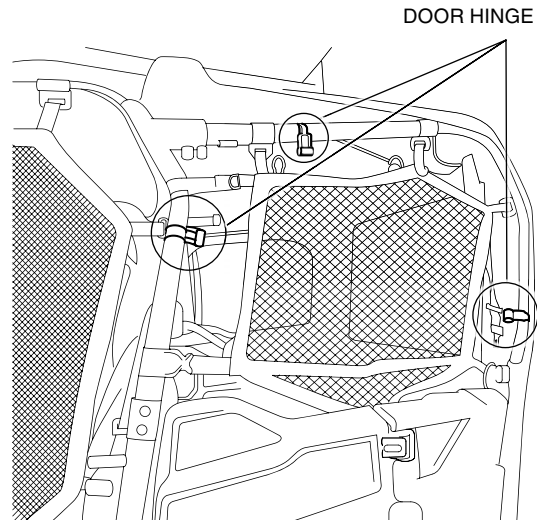
10 mm wrench

USE AND CARE INFORMATION

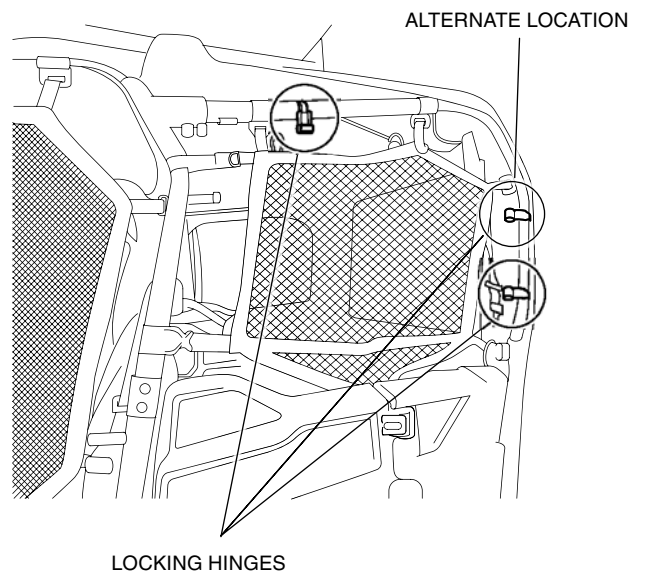
- Completely read and understand the instructions before installing this accessory.
- To clean, sponge with mild soap and cold water, rinse with a hose and allow doors to drip dry.
- Do not machine wash or dry.
- Use mild detergent to remove stubborn stains.

INSTALLATION

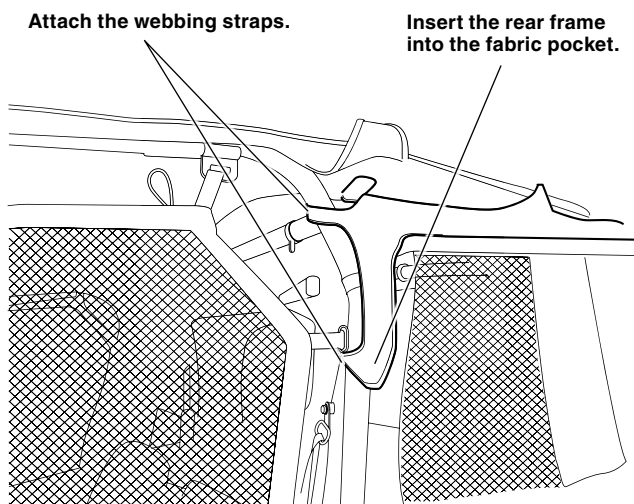
1. Install the locking hinges on the rear cab frame in the locations shown using the supplied hose clamps. Tighten the hose clamps so the locking hinges are secure but they can be rotated on the cab frame.



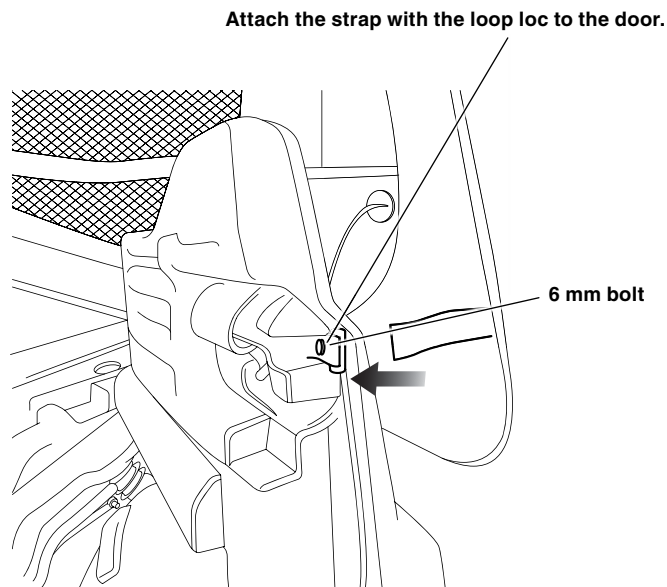
When using the hard plastic rear window, move the rear locking hinge to the alternate location as shown.



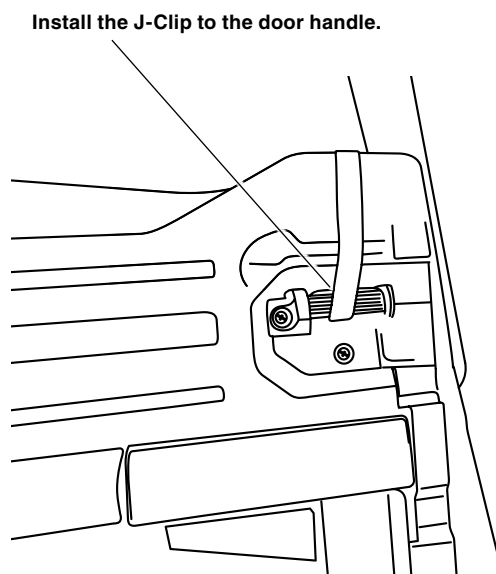
2. Install the aluminum door frame into the locking hinges and lock the hinges closed.
3. Install the front of the aluminum door frame into the fabric pocket as shown.



4. Loop the straps around the cab frame as shown and attach the hook and loop fasteners as shown in the above illustration.
5. If using the hard plastic rear window, clean the cab frame with isopropyl alcohol, apply the self adhesive hook to the cab frame, and attach the hook and loop fastener together.
6. Remove the 6 mm bolt from the inside rear door and attach the strap with the loop loc as shown using the previously removed 6 mm bolt.



7. Loop the door strap through the loop loc, and secure to the hook and loop fasteners.
8. Install the strap with the J-clip to the inner door handle as shown.



9. Rotate the locking hinges on the cab frame to achieve the best fit and then tighten the hose clamps.
10. Check the operation from inside and outside the cab to assure the proper operation of the door latches.