

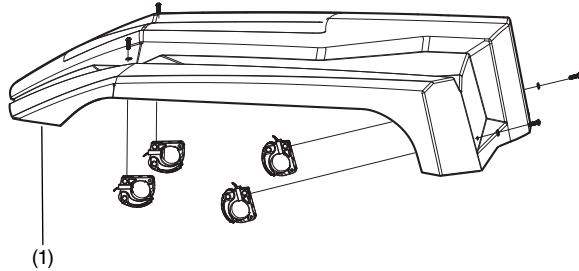


INSTALLATION INSTRUCTIONS

Accessory	Application	Publication No.
HARD ROOF (SHORT) P/N 0SR85-HL3-101 (2P) 0SR85-HL3-101B (4P)	SXS700M2/M4	MII 14607
		Issue Date August 2013

Honda Dealer: Please give a copy of these instructions to your customer.

PARTS LIST



No.	Description	Qty
(1)	Roof	1

NOTE

The roof will arrive fully assembled. The clamps and hardware are shown for illustration purposes.

USE AND CARE INFORMATION

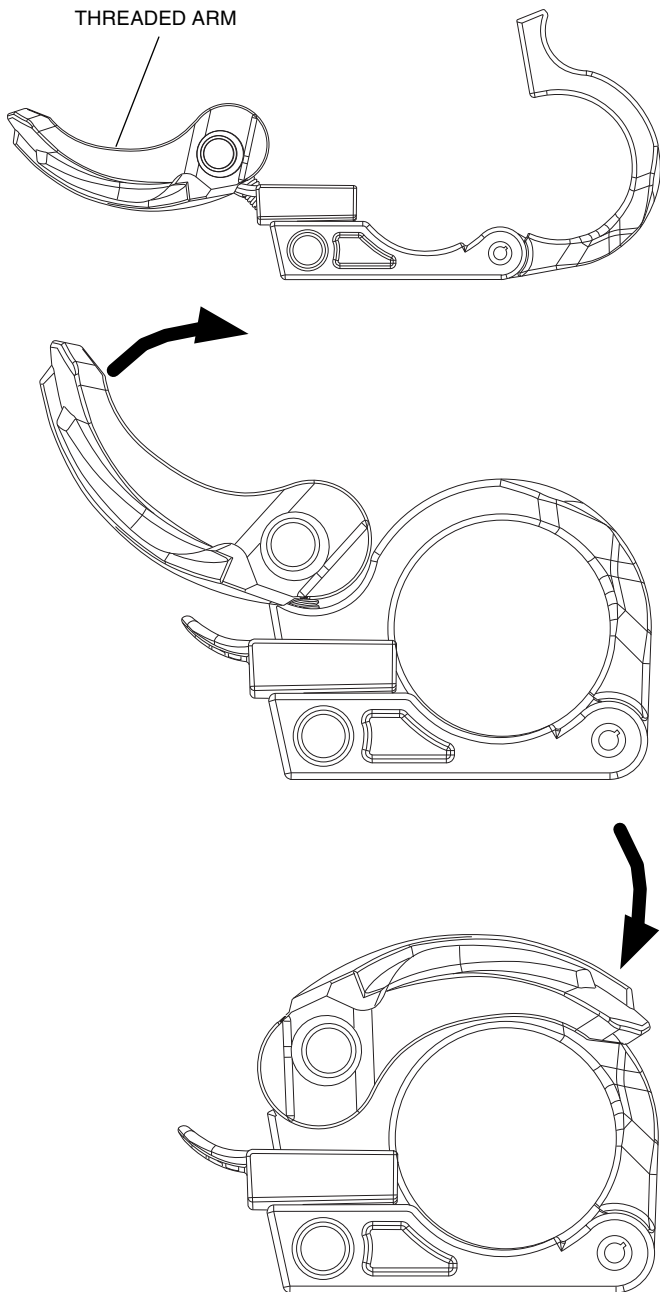
- Check the accessory mounts frequently and retighten if necessary.
- Replace this accessory with a new one if it is damaged or discolored excessively.
- When this accessory becomes dirty, rinse it thoroughly with cool water to remove loose dirt, and then wash with warm, soapy water and a clean cloth or sponge.
- Do not use a brush to clean this accessory as it may scratch the surface.
- Never use petroleum solvents such as gasoline, thinner and benzine to clean this accessory. Also do not use acid or alkaline cleaners.

NOTE

- If installing a complete cab, install the accessory rear panel and windscreen/windshield before installing the roof.
- If installing accessory doors, install them after installing the roof.

INSTALLATION

1. Open all clamps on the underside of the roof.
2. Place the roof on the top of the cab frame. Align the clamps around the the cab frame bars and snap the arm closed.



3. Adjust clamp tension by rotating the threaded arm to tighten, counter-clockwise to loosen.