

HONDA

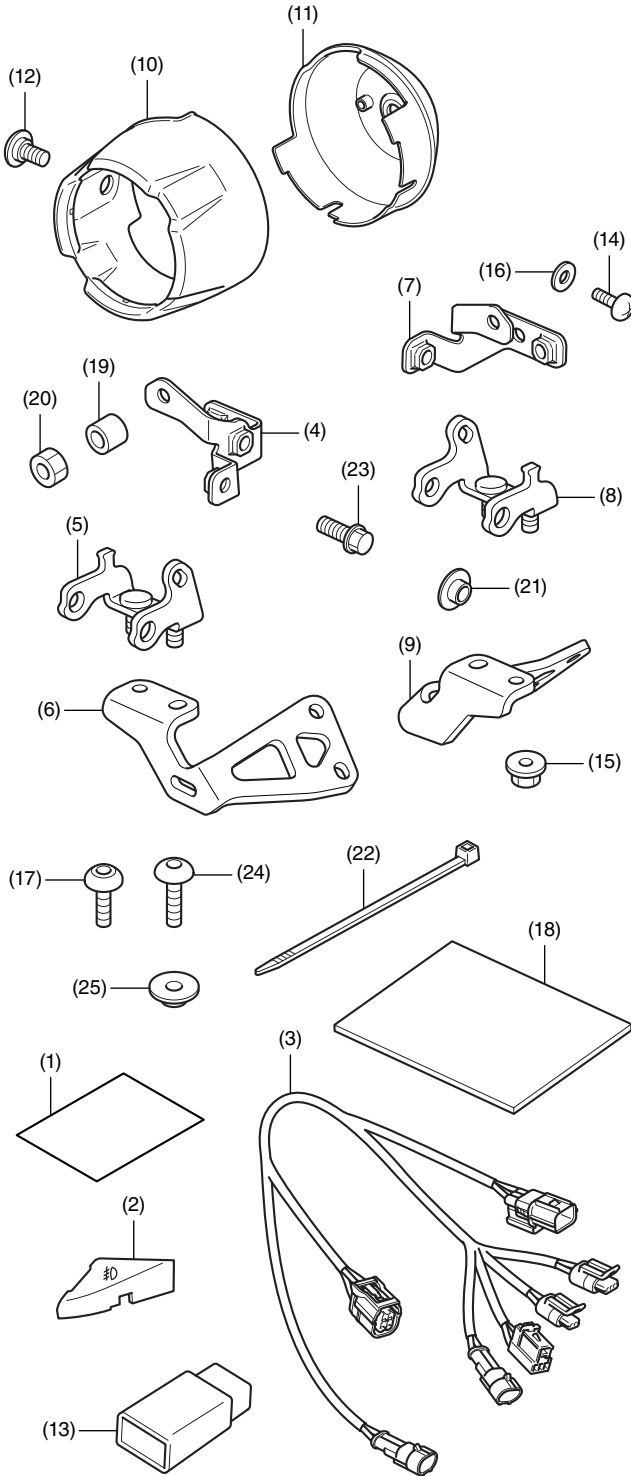
INSTALLATION INSTRUCTIONS

Accessory
FOGLIGHT ATTACHMENT
P/N 08V70-MJN-A00

Application
CTX1300/A

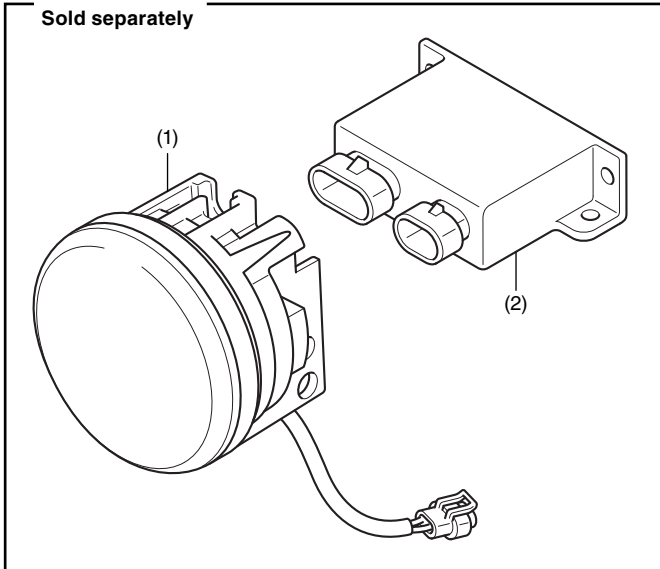
Publication No.
MII 14925
 Issue Date
April 2014

PARTS LIST



No.	Description	Qty
(1)	Installation Instruction URL	1
(2)	Fog lamp switch knob	1
(3)	Fog lamp sub harness	1
(4)	Right fog lamp stay	1
(5)	Right fog lamp inner stay	1
(6)	Right fog lamp bracket	1
(7)	Left fog lamp stay	1
(8)	Left fog lamp inner stay	1
(9)	Left fog lamp bracket	1
(10)	Fog lamp cover	2
(11)	Fog lamp cap	2
(12)	6 mm shoulder socket screw	4
(13)	Power relay	1
(14)	6 mm screw	4
(15)	6 mm flange nut	4
(16)	Washer	4
(17)	6 mm bolt (Silver)	2
(18)	Double-sided adhesive tape	1
(19)	Collar	2
(20)	6 mm nut	2
(21)	Flange collar (small)	4
(22)	Wire tie	6
(23)	6 mm SH flange bolt	2
(24)	6 mm bolt (Black)	4
(25)	Flange collar (large)	4

LED FOG LAMP
Sold separately



No.	Description	Qty
(1)	LED fog lamp	2
(2)	LED fog lamp driver	1

TOOLS AND SUPPLIES REQUIRED

- Socket (8 and 10 mm)
- Ratchet
- Hex wrench (5 mm)
- Phillips ® screwdriver
- Side cutters
- Marker
- Ruler
- Electrical tape
- Isopropyl alcohol
- Shop towel
- Torque wrench

TORQUE CHART

Tighten all screws, bolts, and nuts to their specified torque values. Refer to the Service Manual for the torque values of the removed parts.

Item	N·m	kgf·m	lbf·ft
6 mm screw	9	0.9	6.6
6 mm shoulder socket screw	9	0.9	6.6
6 mm bolt	10	1.0	7
6 mm SH flange bolt	10	1.0	7
6 mm nut	10	1.0	7
6 mm flange nut	12	1.2	9

INSTALLATION

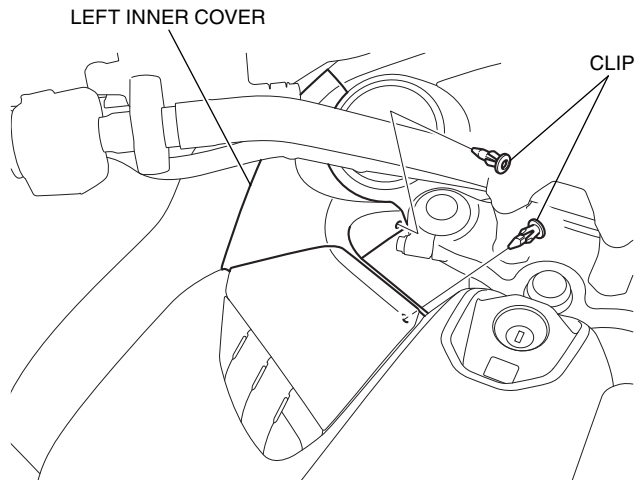
▲ CAUTION

- To prevent burns, allow the engine, exhaust system, radiator, etc., to cool before installing the accessory.

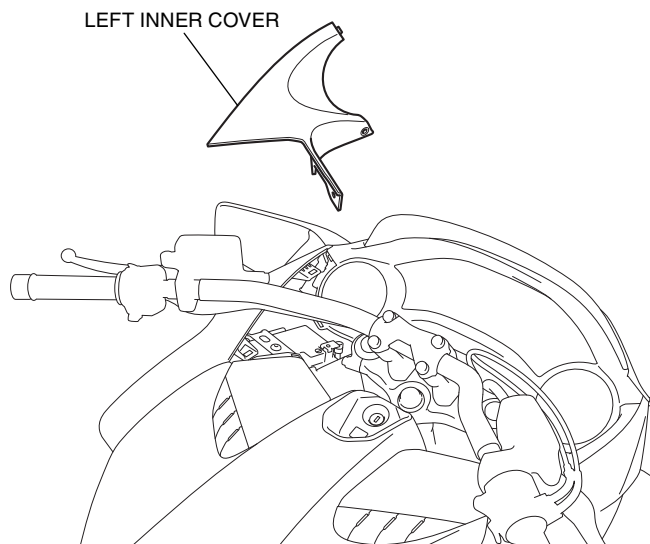
NOTE:

- The LED fog lamp is required for the installation of this accessory.
- Heat the bonding surfaces with a hair dryer if the ambient air temperature is below 70°F (21°C).
- The adhesive reaches full strength in 72 hours. Wait at least 24 hours before riding your motorcycle.
- Disconnect the negative (-) cable from the battery before installing this accessory.
- The the clock memory will be erased when you disconnect the battery. Reset the clock after reconnecting the battery.
- Reinstall the removed parts on the motorcycle and make sure that wires and harnesses are not pinched.
- Trim the excess ends off the wire ties after attaching them to the wire harnesses. Do not allow the cut part of the wire tie to interfere with another harness or brake hose.

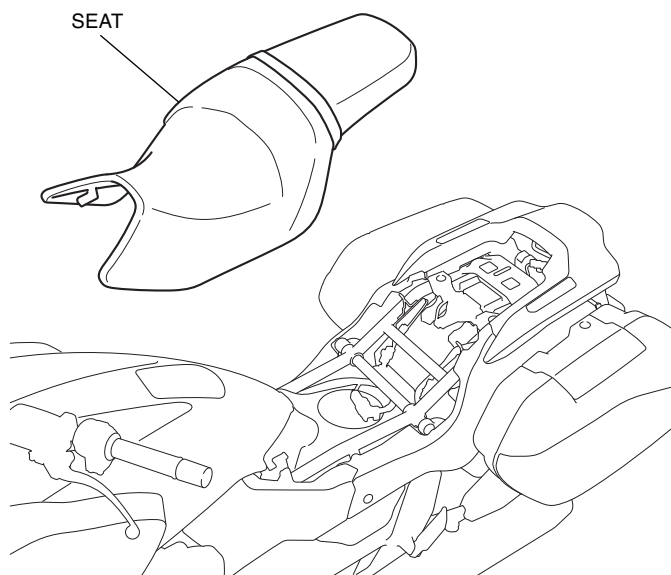
1. Remove the indicated clips from the left inner cover.
<Left side>



2. Remove the left inner cover, and disconnect the negative (-) cable of the battery.

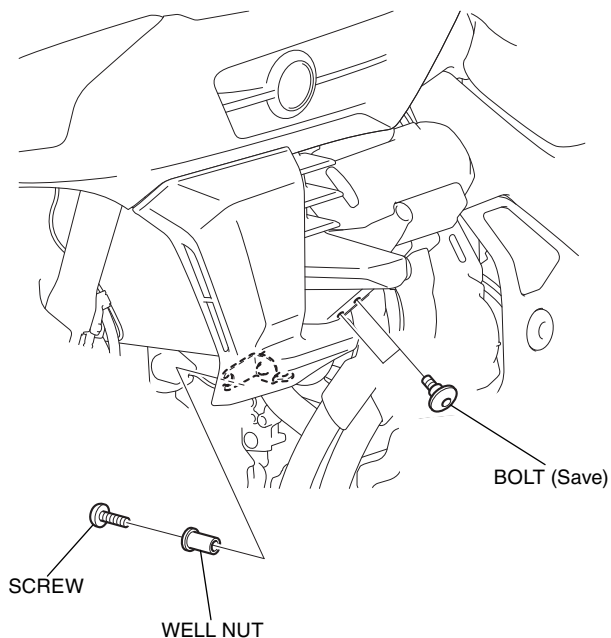


3. Remove the seat.

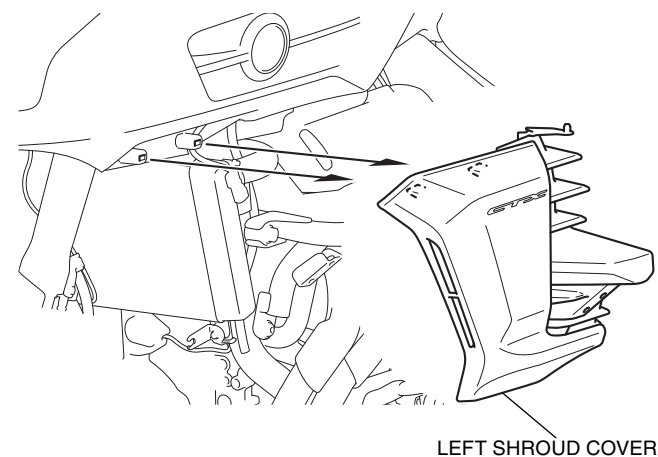


4. Remove the bolt, screw, and well nut from the left shroud cover as shown.

<Left side>

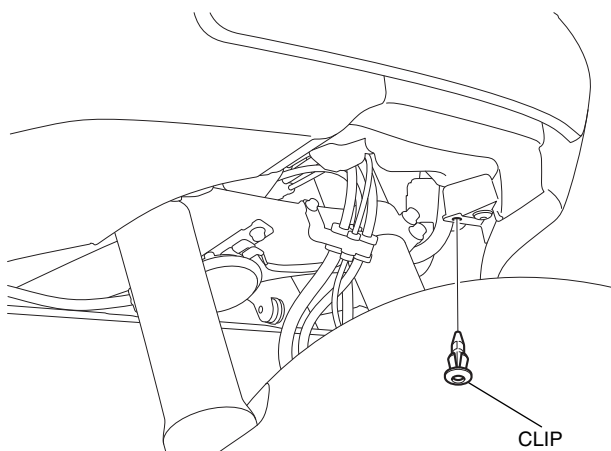


5. Remove the left shroud cover as shown.

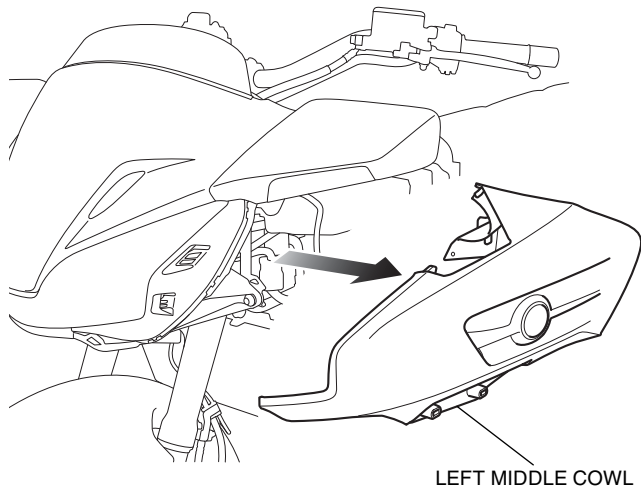


6. Remove the right shroud cover in the same manner.

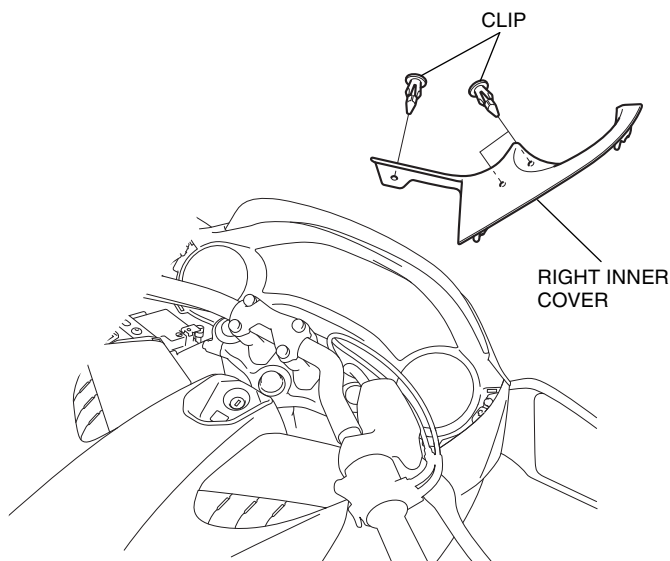
7. Remove the clip as shown.



8. Remove the left middle cowl as shown.

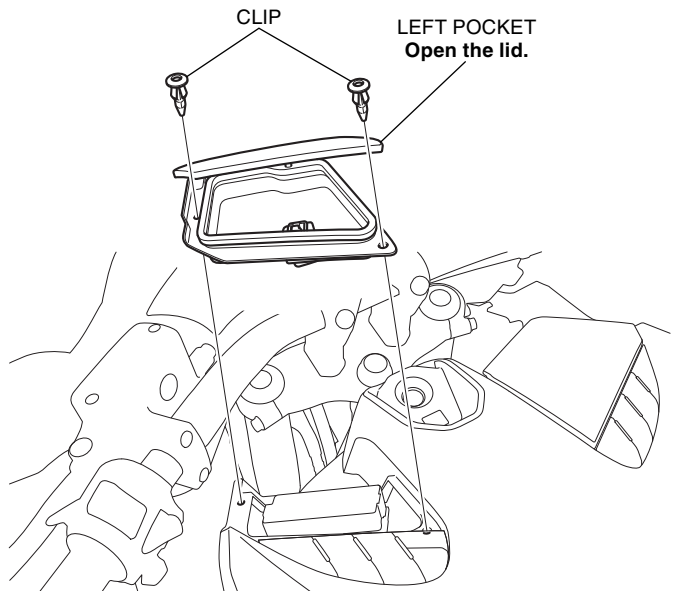


9. Remove the right inner cover as shown.



10. Remove the right middle cowl in the same manner as the left.

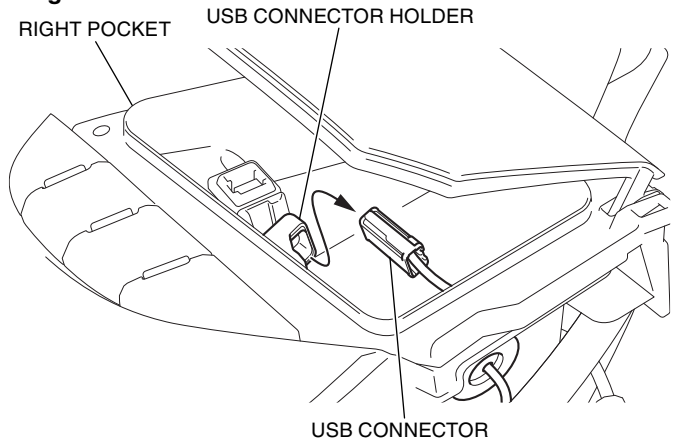
11. Remove the left pocket as shown.



12. Remove the USB connector in the USB connector holder.

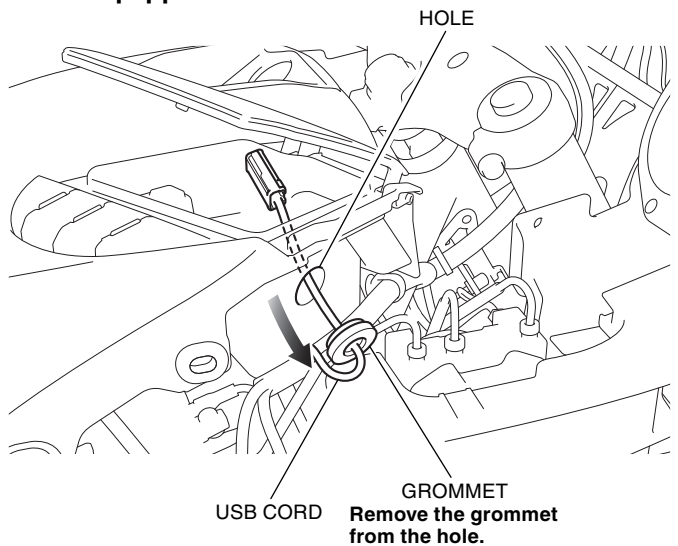
- **This step is applicable only to the motorcycle equipped with Audio.**

<Right side>



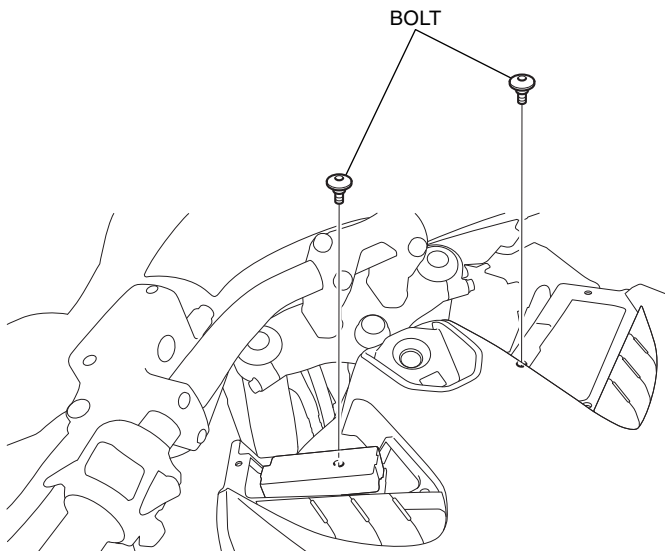
13. Remove the USB cord as shown.

- **This step is applicable only to the motorcycle equipped with Audio.**



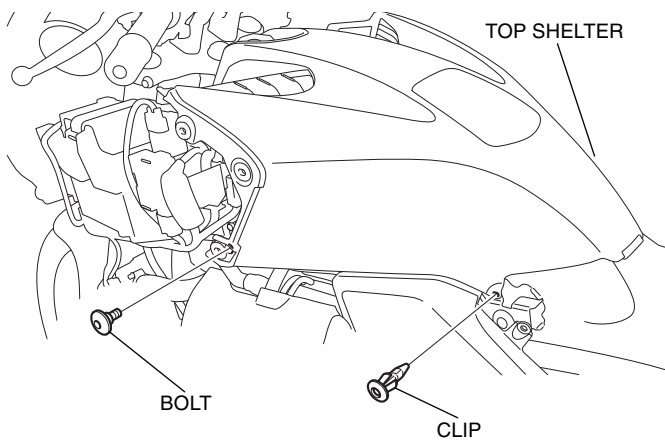
14. Remove the right pocket in the same manner as the left.

15. Remove the bolt as shown.

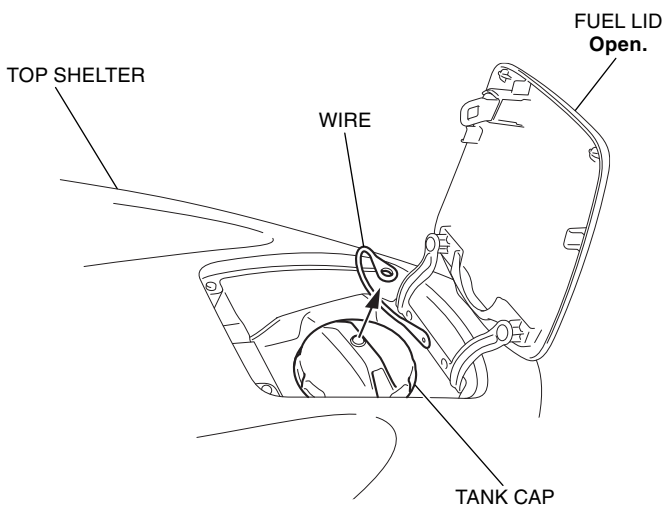


16. Remove the bolt and clip from the top shelter as shown.

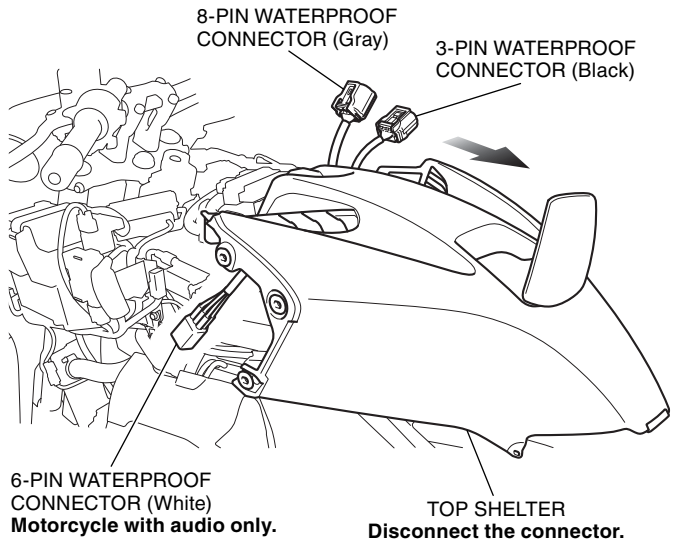
- Repeat on the right side.



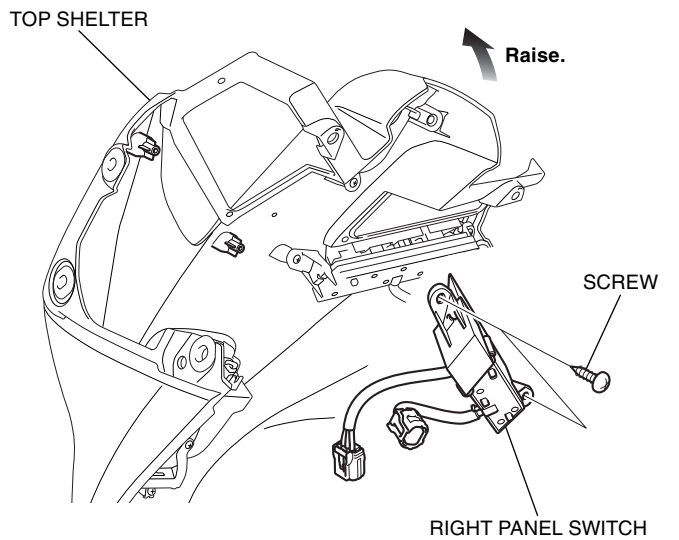
17. Open the fuel lid and remove the wire from the tank cap as shown.



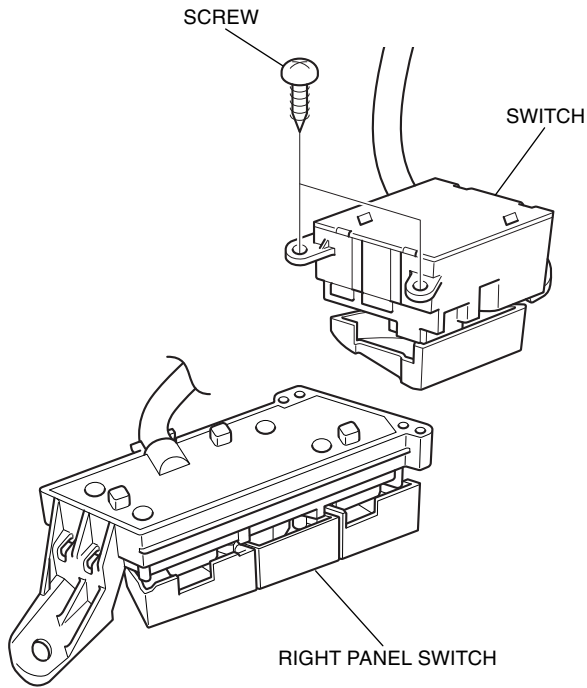
18. Disconnect the connectors and move the top shelter to the rear of the motorcycle.



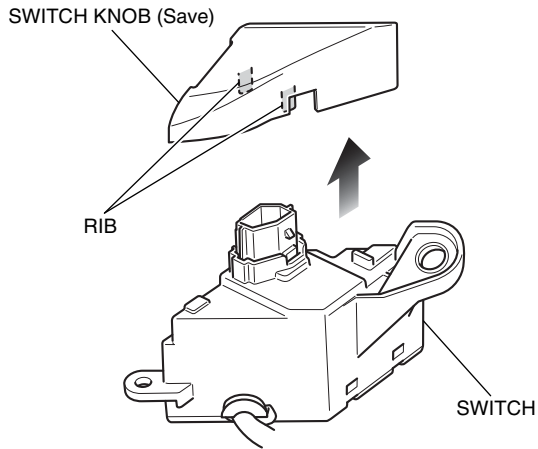
19. Raise the front side of the top shelter and remove the right panel switch as shown.



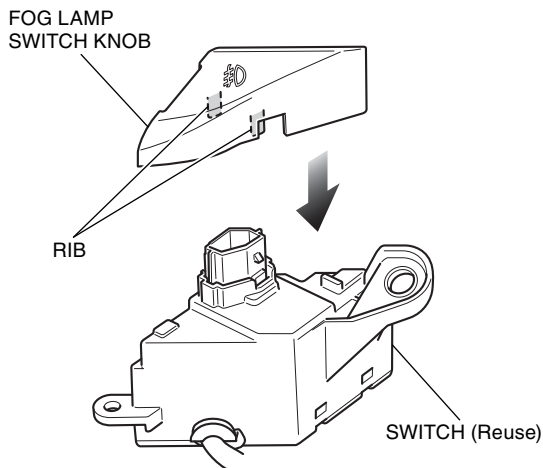
20. Remove the switch as shown.



21. Remove the switch knob as shown.



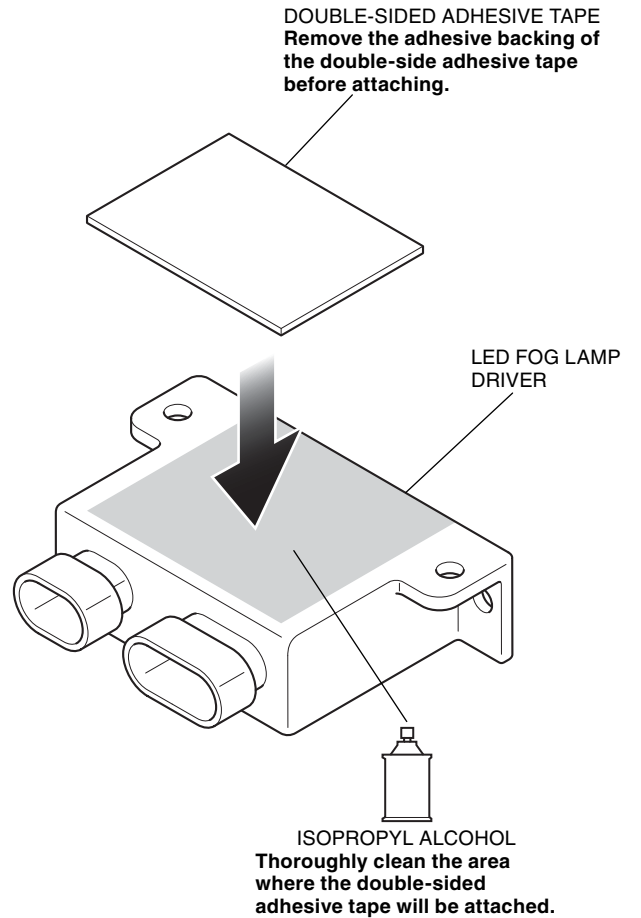
22. Install the fog lamp switch knob as shown.



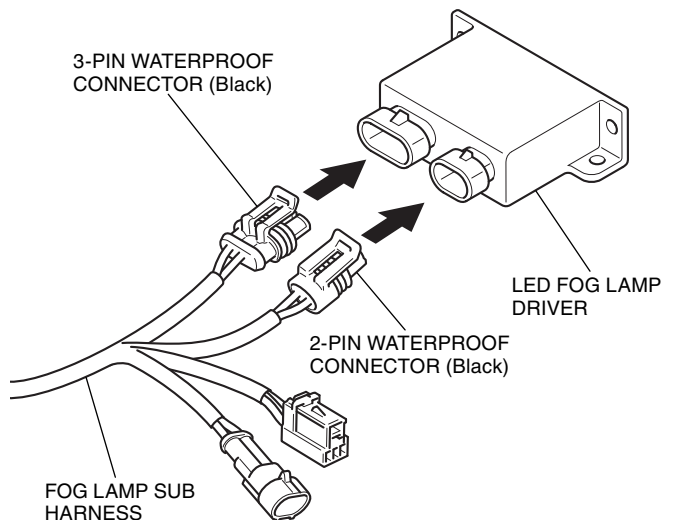
23. Install the switch to the right panel switch in reverse order of the removal.

24. Install the right panel switch to the top shelter in reverse order of the removal.

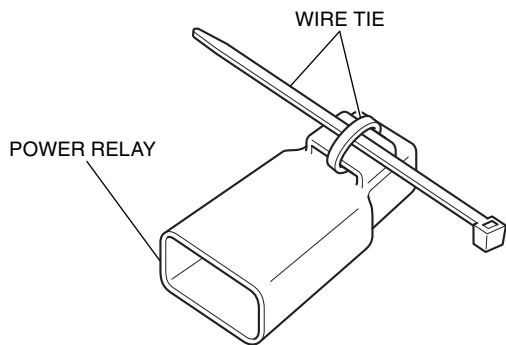
25. Attach the double-side adhesive tape to the LED fog lamp driver as shown.



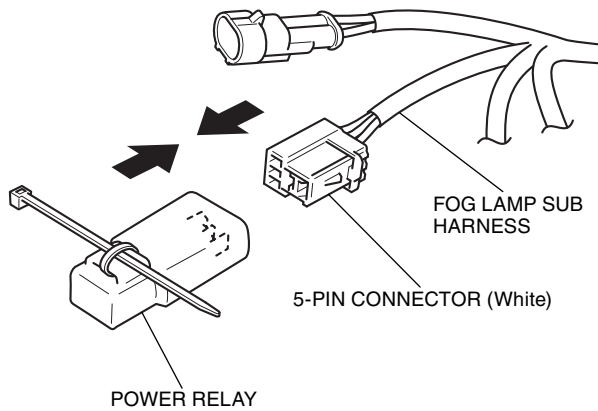
26. Connect the fog lamp sub harness as shown.



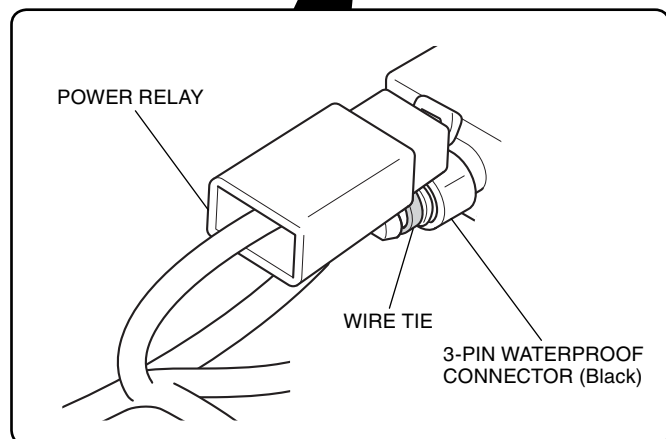
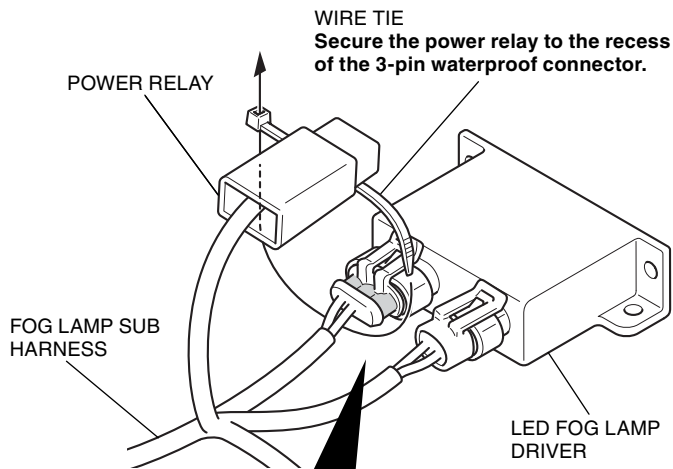
27. Install the wire tie to the power relay as shown.



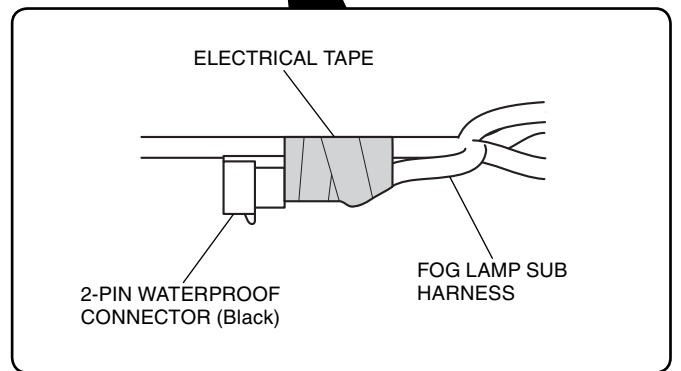
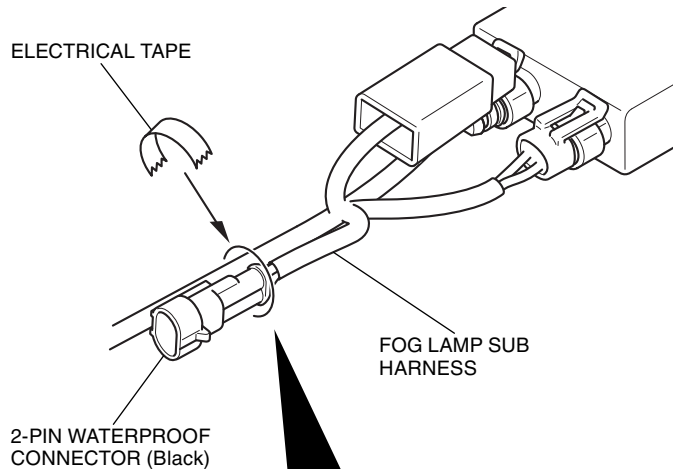
28. Connect the power relay as shown.



29. Secure the power relay as shown.

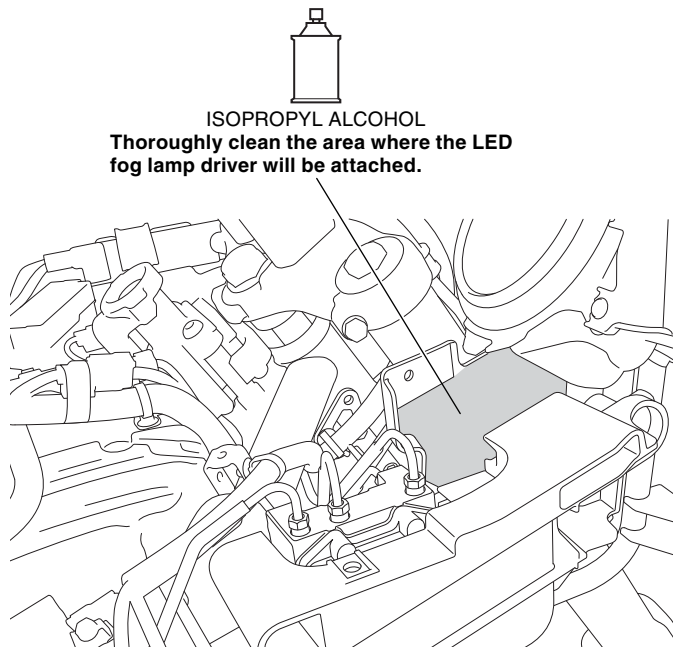


30. Fold back the fog lamp sub harness and secure it with the electrical tape as shown.



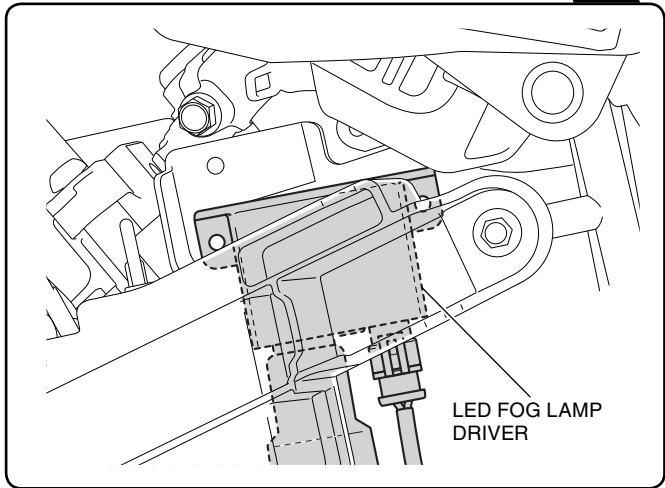
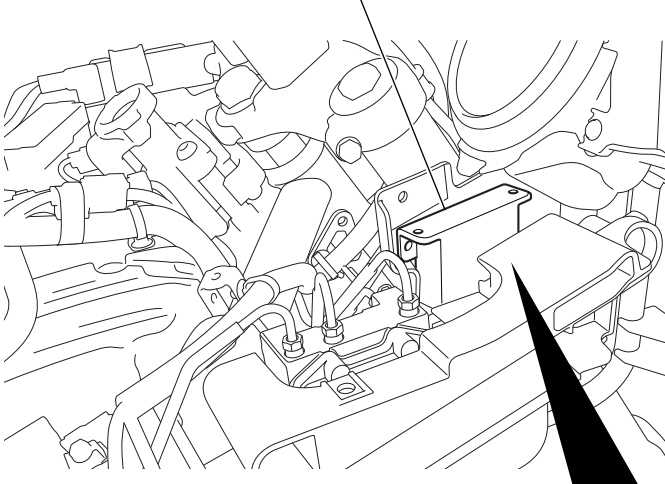
31. Clean the surface of the area shown using isopropyl alcohol.

<Right side>



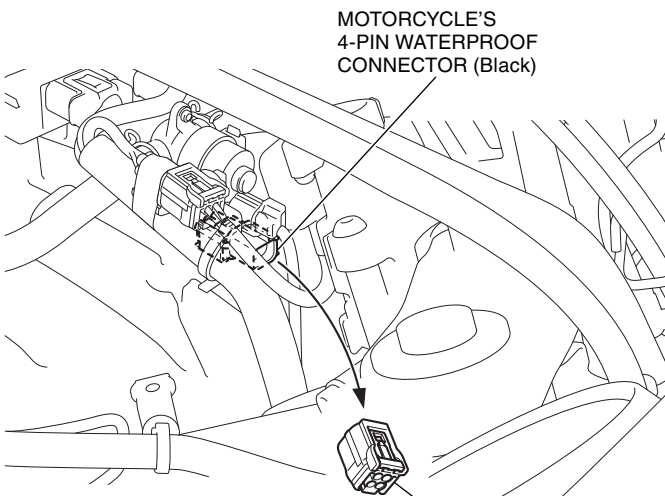
32. Install the LED fog lamp driver as shown.

LED FOG LAMP DRIVER
Remove the adhesive backing
before attaching.



33. Remove the dummy connector as shown.

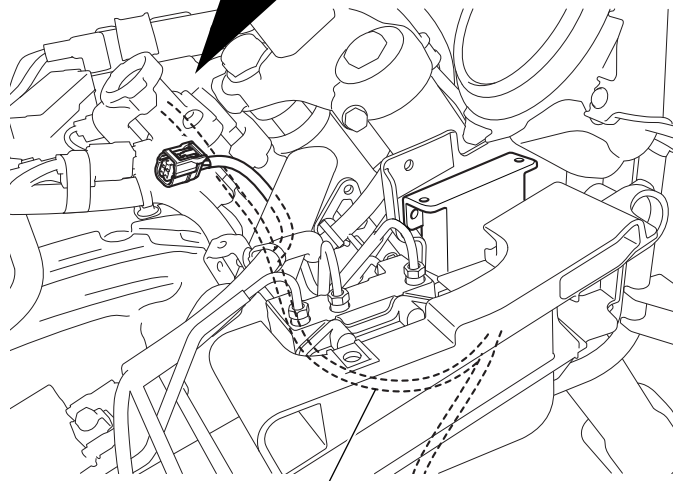
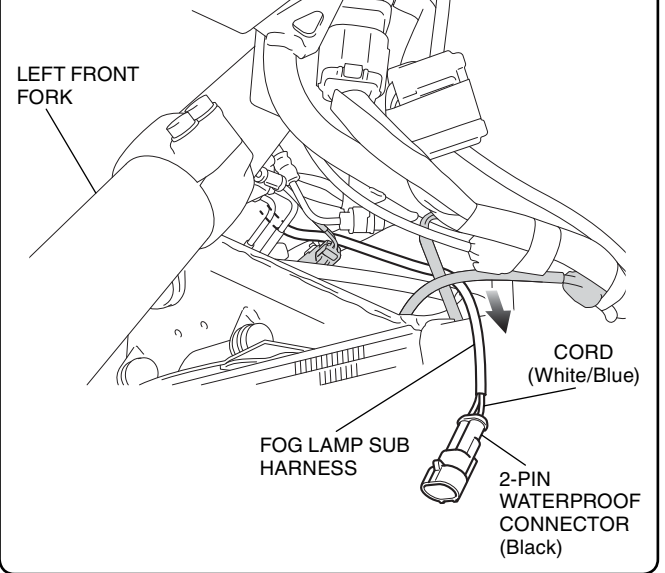
<Right side>



4-PIN WATERPROOF DUMMY
CONNECTOR (Black) (Save)

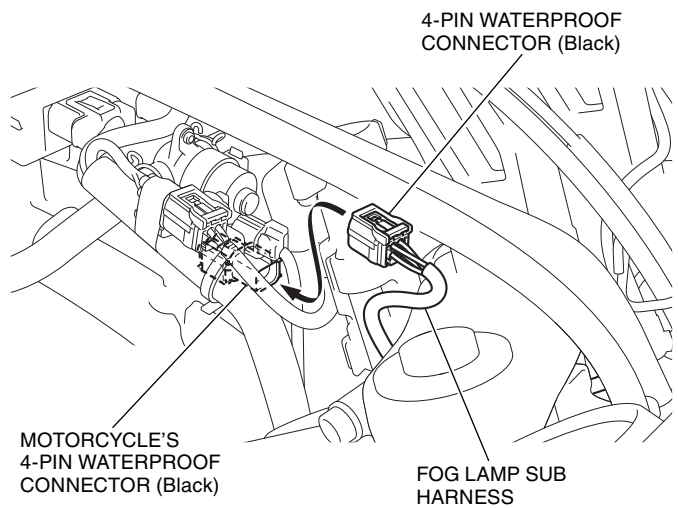
34. Route the fog lamp sub harness as shown.

<Left side>



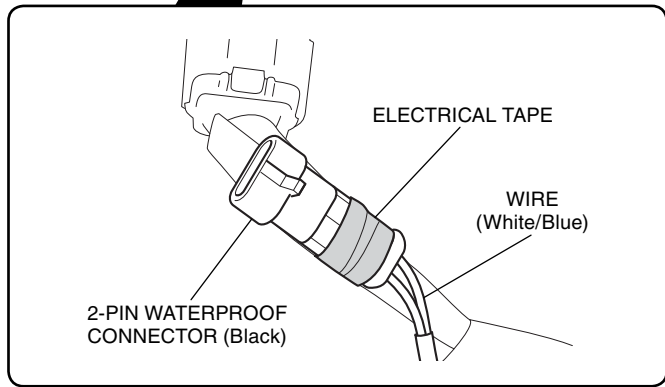
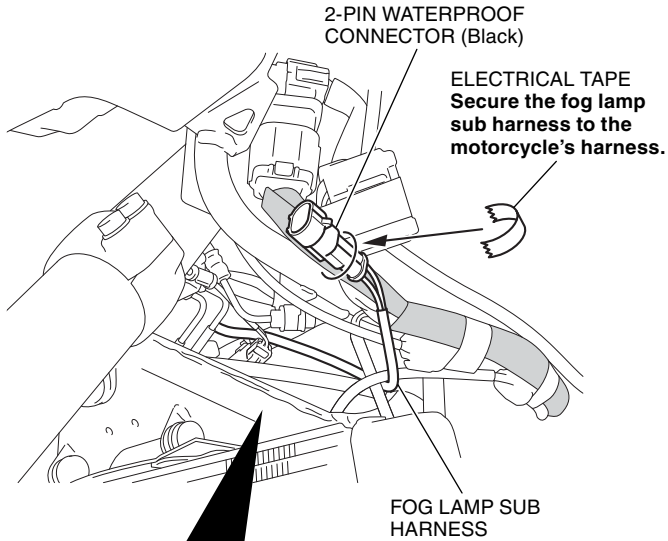
FOG LAMP SUB
HARNESS

35. Connect the fog lamp sub harness as shown.



36. Secure the connector as shown.

<Left side>

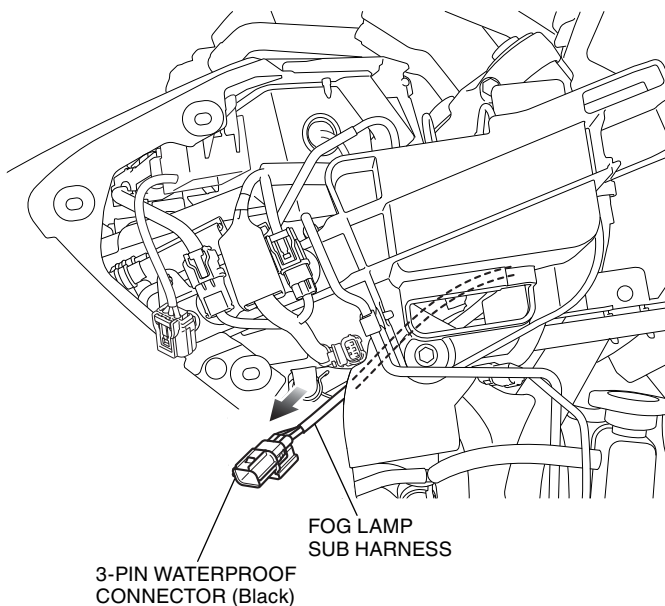


37. Install the top shelter and right and left pocket in reverse order of the removal.

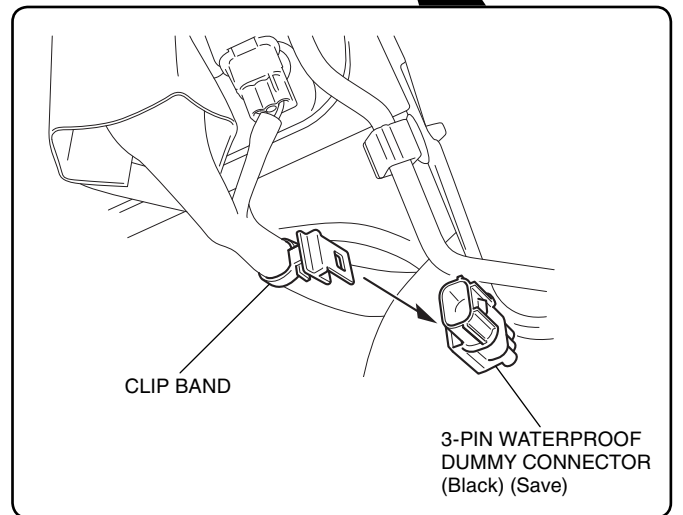
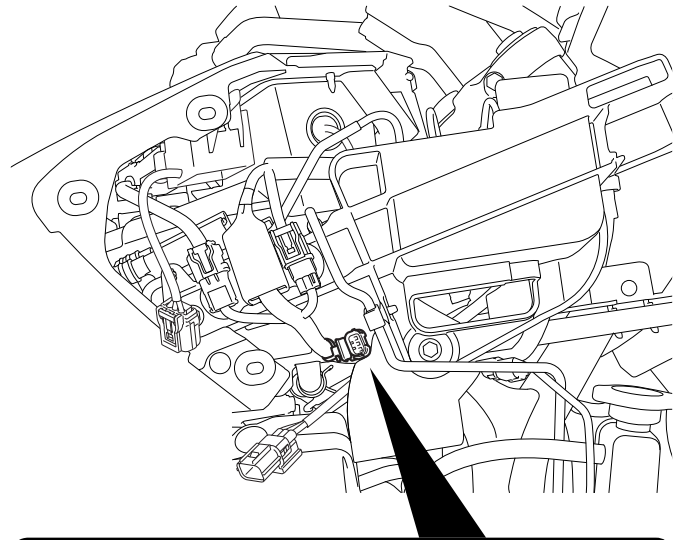
- Confirm that no wire or harness is caught or too tight.

38. Route the fog lamp sub harness as shown.

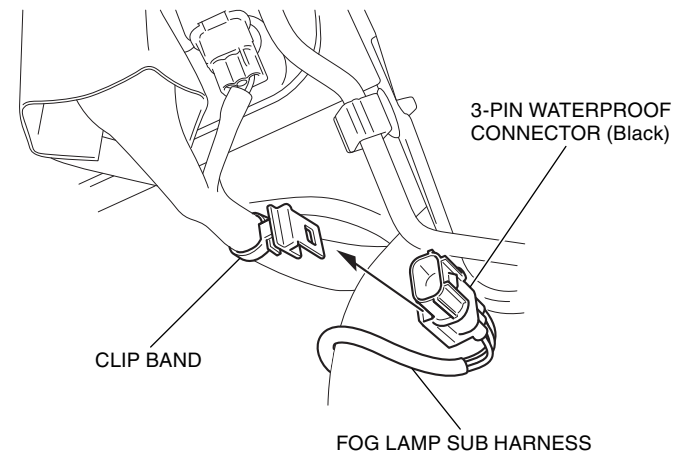
<Right side>



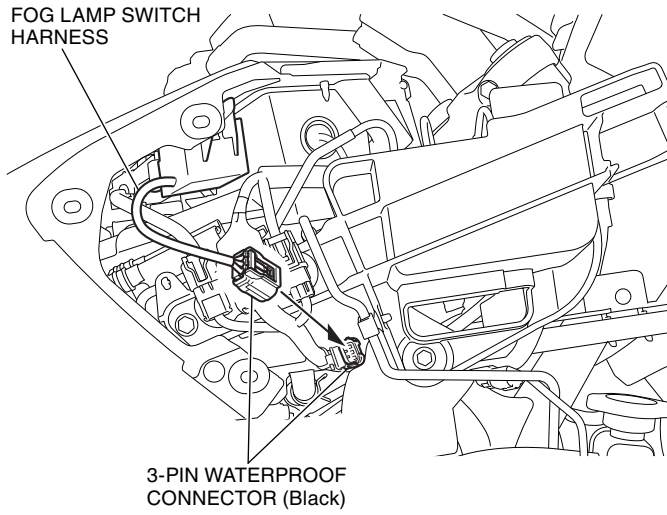
39. Remove the dummy connector as shown.



40. Secure the connector as shown.

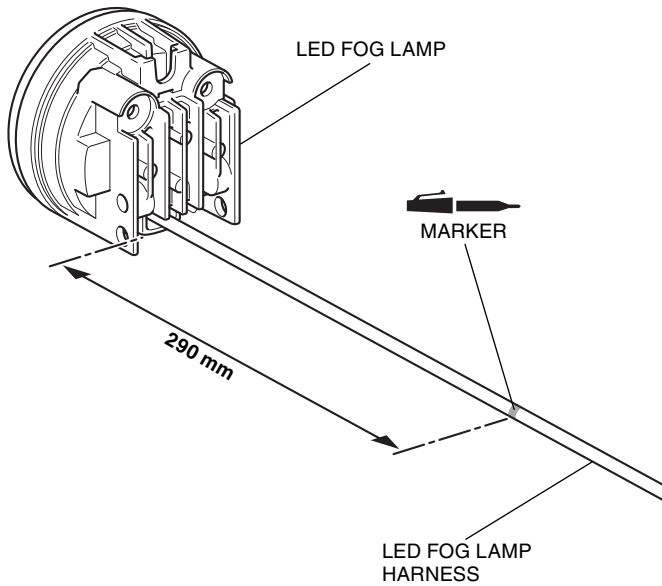


41. Connect the fog lamp switch harness as shown.

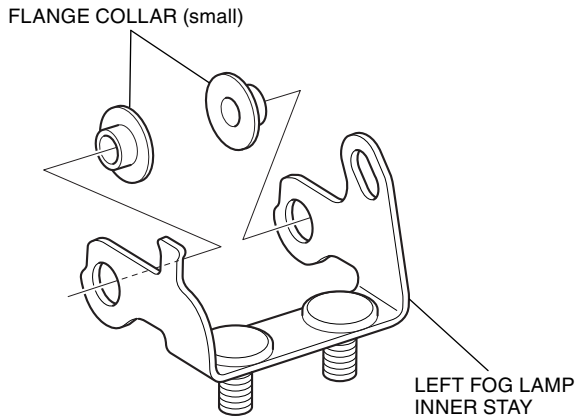


42. Mark the LED fog lamp harness at the position with the indicated dimensions.

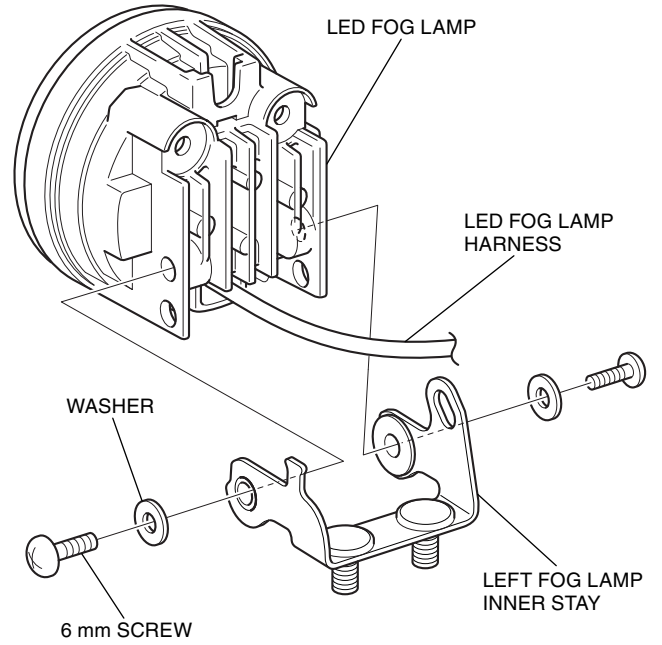
- Perform this step for both fog lamps.



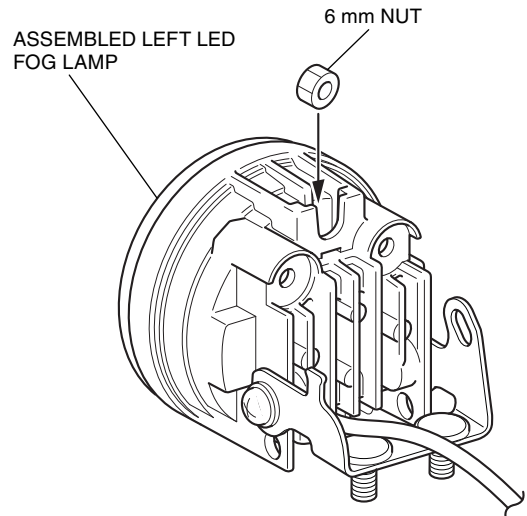
43. Install the flange collars to the left fog lamp inner stay as shown.



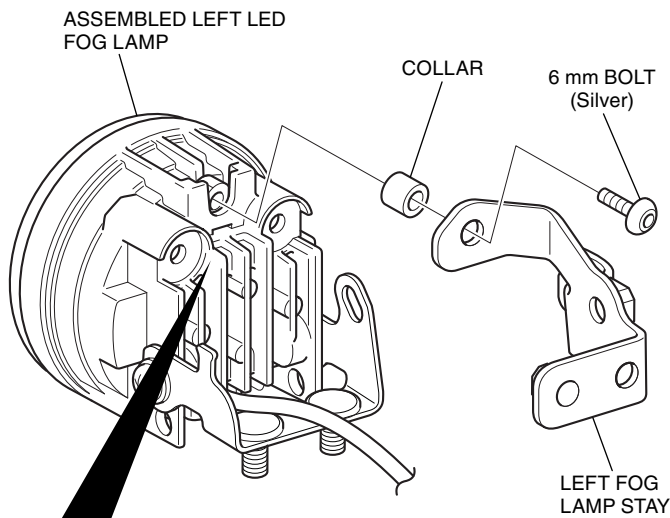
44. Loosely install the assembled left fog lamp inner stay as shown.



45. Install the 6 mm nut to the LED fog lamp as shown.



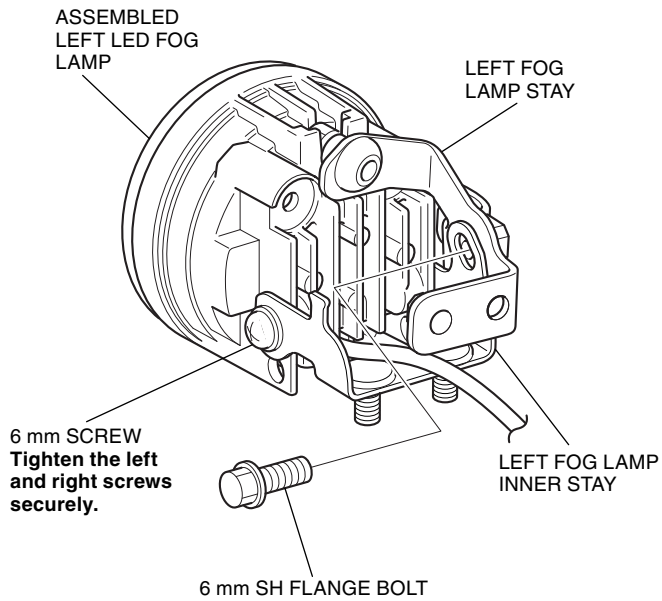
46. Install the left fog lamp stay as shown.



Put the end of the left lamp stay to the rib.

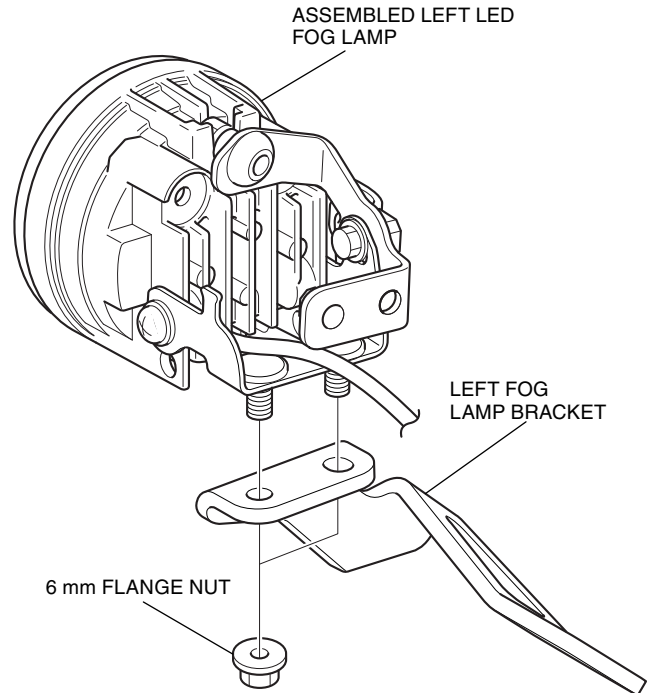
47. Secure the left fog lamp inner stay and left fog lamp stay as shown.

- To adjust the fog lamp aim, loosen the 6 mm SH flange bolt and 6 mm screws.

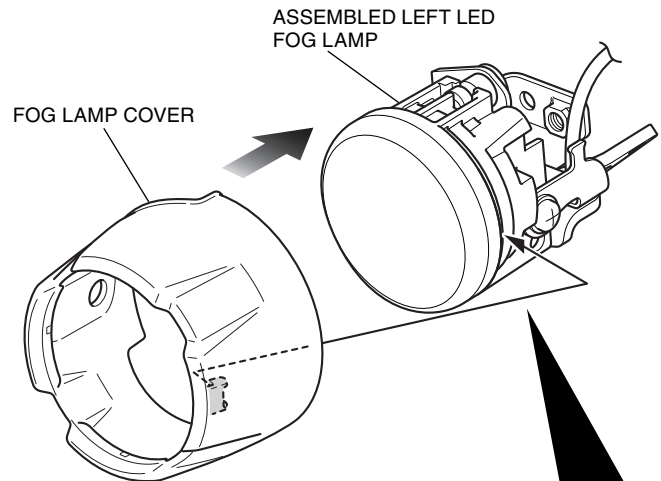


48. Install the left fog lamp bracket as shown.

- To adjust the fog lamp aim, loosen the 6 mm flange nuts.

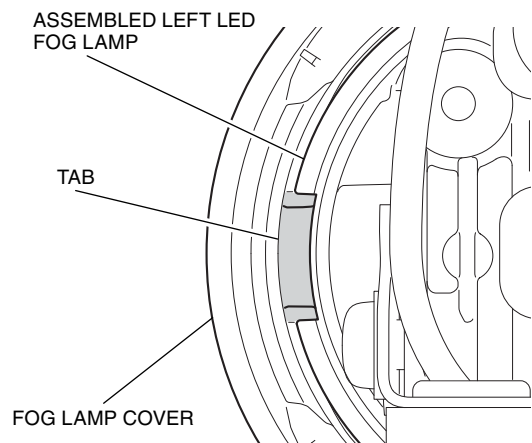


49. Install the fog lamp cover as shown.

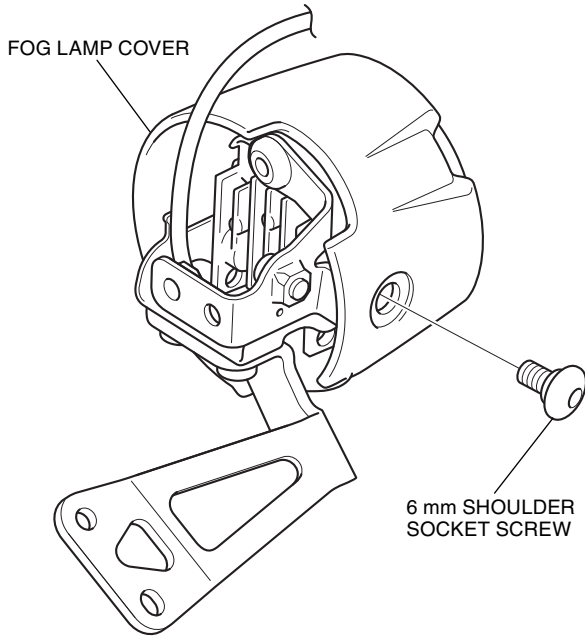


Align the LED fog lamp with the tabs of the fog lamp cover.

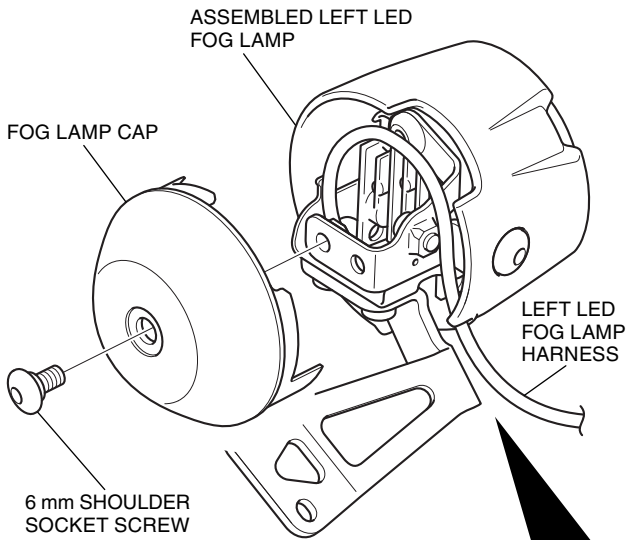
<Back side>



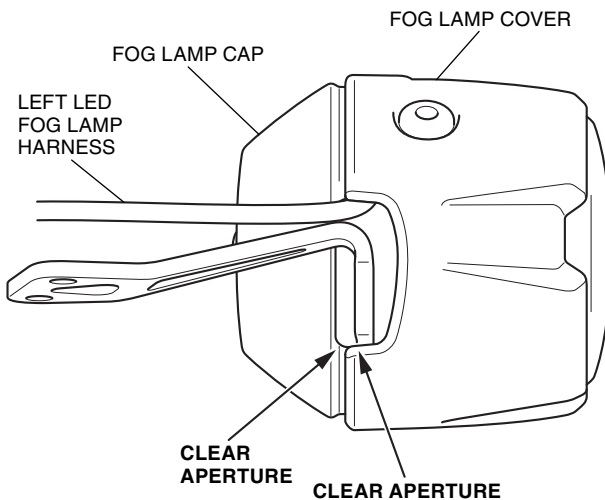
50. Secure the fog lamp cover as shown.



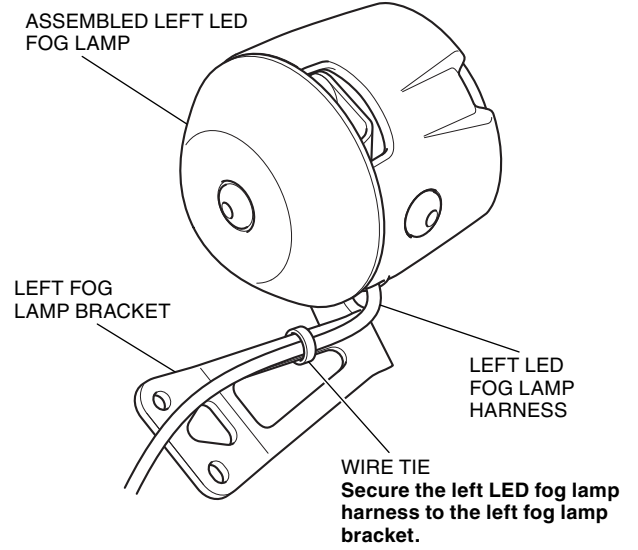
51. Route the left LED fog lamp harness and install the fog lamp cap as shown.



Install with both clear apertures aligned.

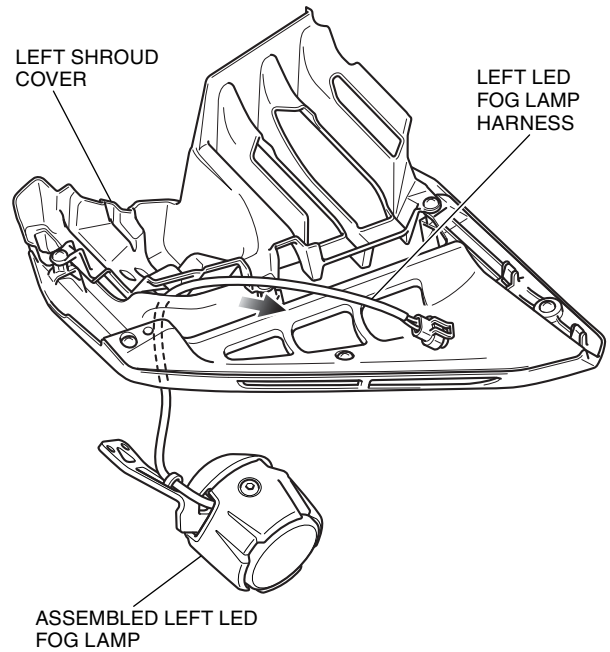


52. Secure the left LED fog lamp harness as shown using a wire tie.

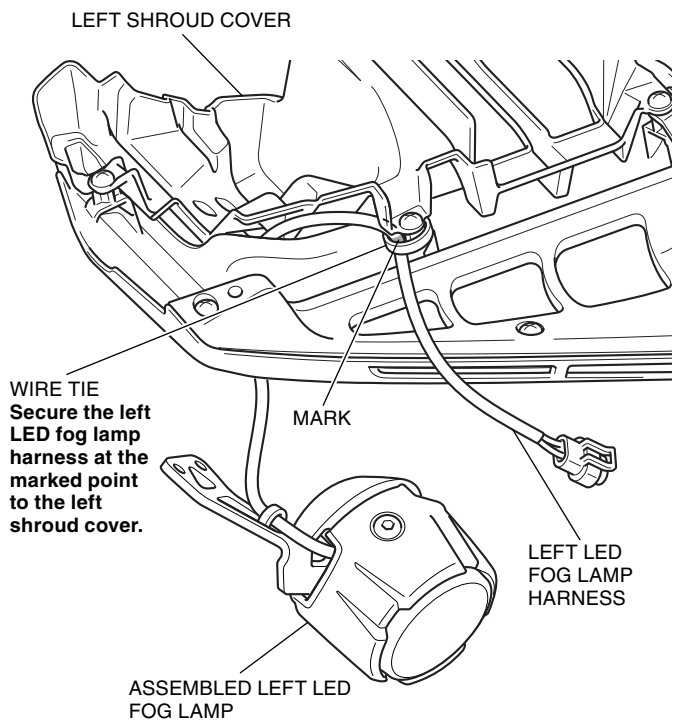


53. Repeat Steps 43 through 52 to assemble the right LED fog lamp in the same manner.

54. Route the left LED fog lamp harness to the left shroud cover as shown.



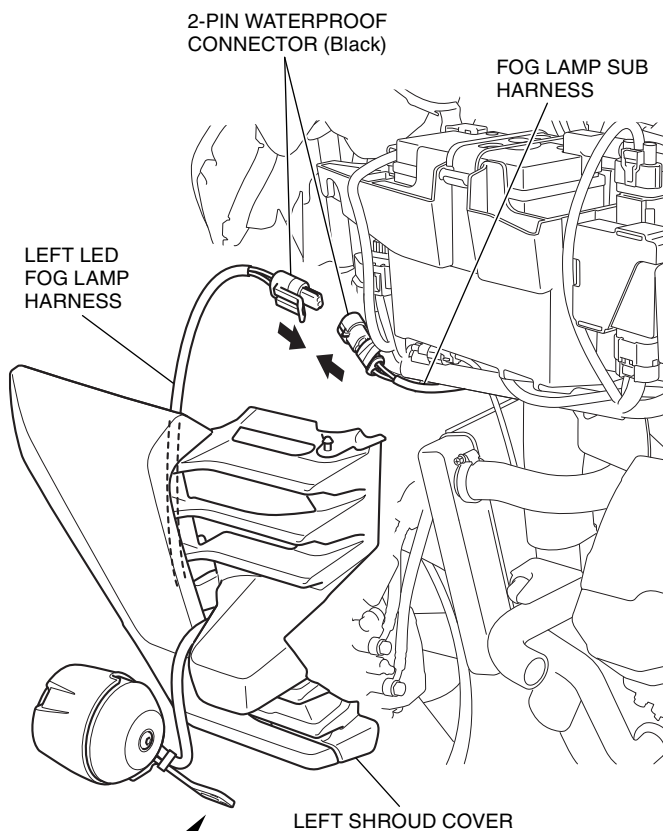
55. Secure the left LED fog lamp harness as shown.



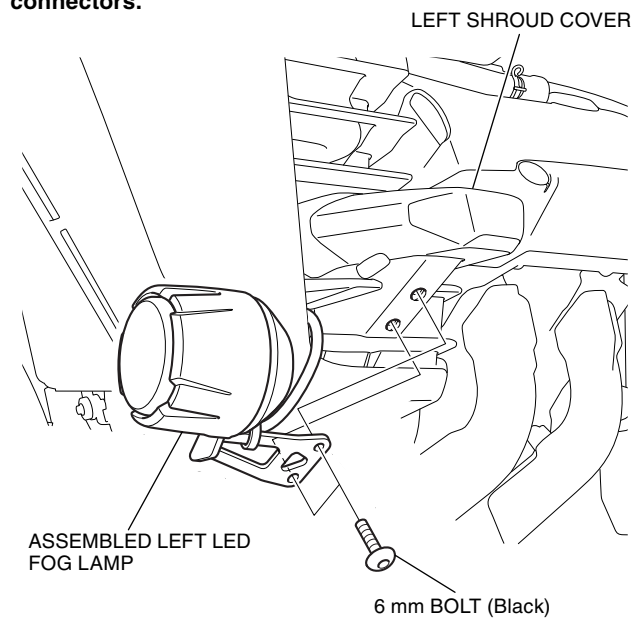
56. Repeat Steps 54 and 55 on the right side.

57. Connect the left LED fog lamp harness as shown.

<Left side>



Loosely install the fog lamp as shown and connect the connectors.



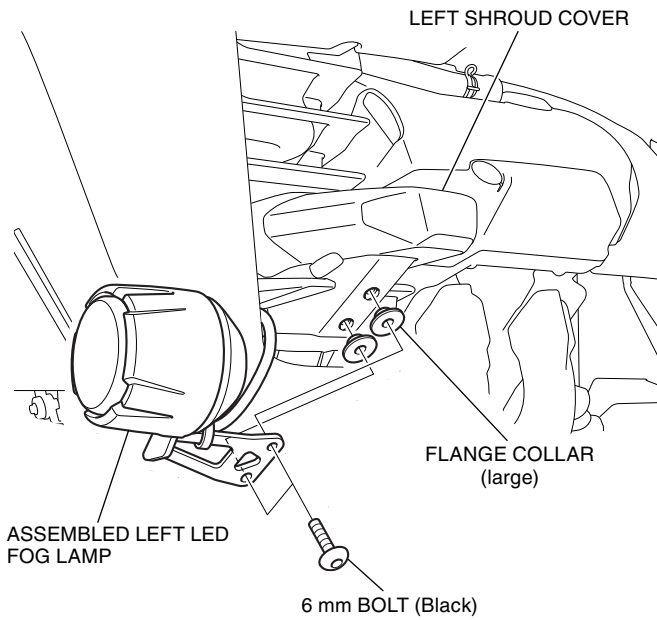
58. Remove the loosely installed left LED fog lamp and install the left middle cowl in the reverse order of removal.

- **Install the left middle cowl so as not to apply an excessive force on the left LED fog lamp harness.**
- **Confirm that no wire or harness is caught or too tight.**

59. Install the left shroud cover in the reverse order of removal, and then install the left LED fog lamp as shown.

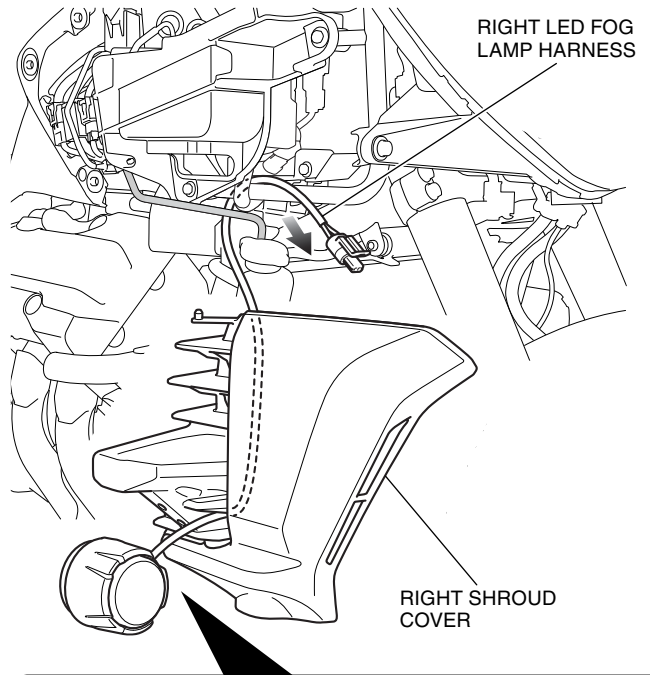
- **Confirm that no wire or harness is caught or too tight.**

<Left side>

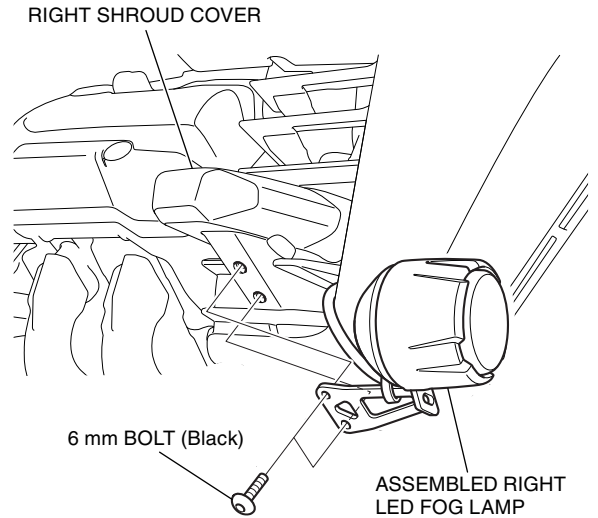


60. Route the right LED fog lamp harness as shown.

<Right side>

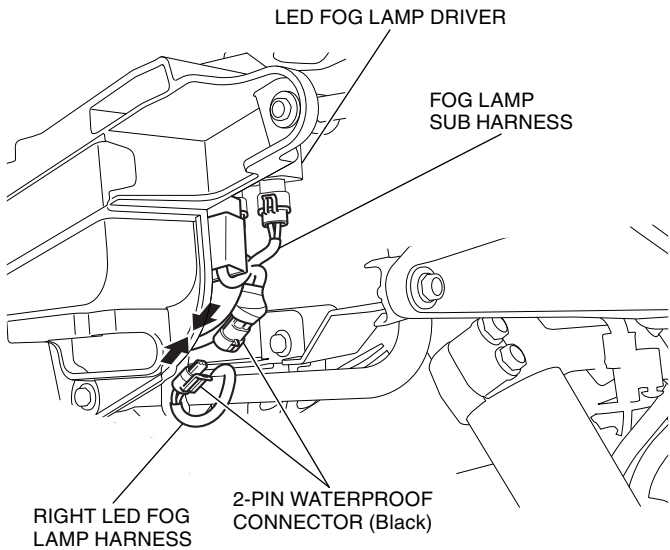


Loosely install the fog lamp as shown and route the harness.



61. Connect the fog lamp sub harness to the right LED fog lamp harness as shown.

<Right side>



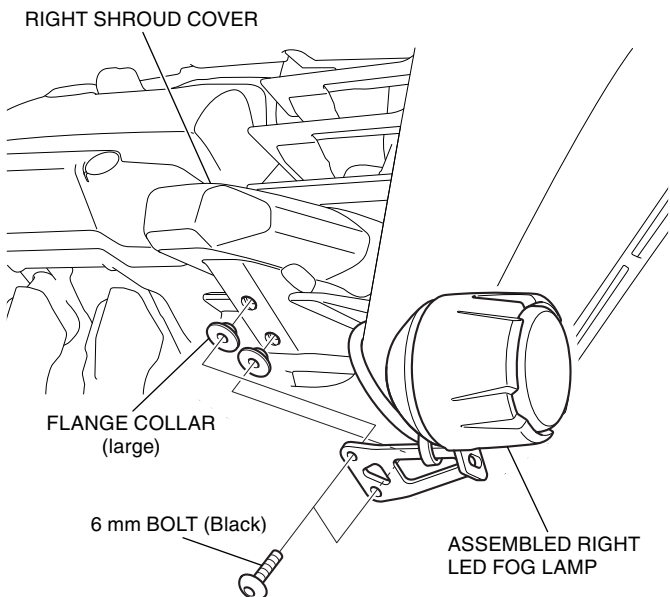
62. Remove the loosely installed right LED fog lamp and install the right middle cowl in the reverse order of removal.

- Install the right middle cowl so as not to apply an excessive force on the right LED fog lamp harness.
- Confirm that no wire or harness is caught or too tight.

63. Install the right shroud cover in reverse order of the removal, and then install the right LED fog lamp as shown.

- Confirm that no wire or harness is caught or too tight.

<Right side>

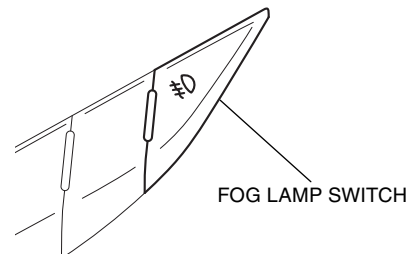


64. Connect the negative (-) cable to the battery and check each light for function.

65. Perform the ADJUSTING THE FOG LAMP AIM.
66. Install the motorcycle's parts in the reverse order of removal.
- Confirm that no wire or harness is caught or too tight.

AIMING THE FOG LAMP

1. Place the motorcycle on a level surface, 5 m away from the aiming screen. Turn on the fog lamps.
 - When the main switch is ON and the fog lamp switch is pressed, a fog lamp lights up.
 - When the fog lamp switch is pressed again, the fog lamp is turned off.



2. Measure the mounting height of the fog lamp from the floor.
3. Aim the fog lamps so that the cut-off line of the light pattern on the aiming screen is the same distance above the floor as the fog lamp mounting height.

