

# INSTALLATION INSTRUCTIONS

Accessory

**FRONT BUMPER  
P/N 08P76-HL3-A00**

Application

**SXS700M4/M2**

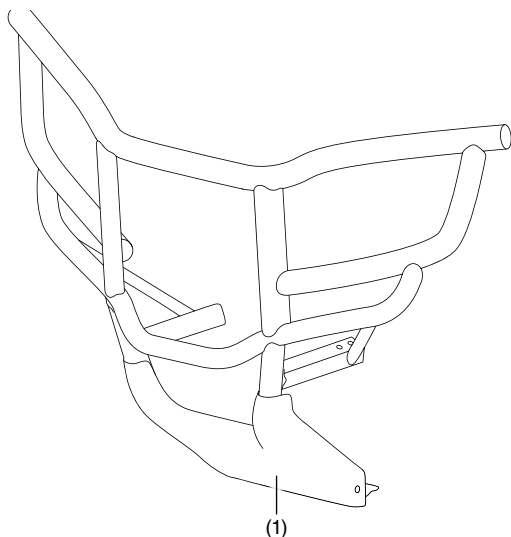
Publication No.

**MII 14607**

Issue Date

**August 2013**
**Honda Dealer: Please give a copy of these instructions to your customer.**

## PARTS LIST



No.	Description	Qty
(1)	Front bumper	1

## TOOLS AND SUPPLIES REQUIRED

Socket (10 mm)

Socket (12 mm)

Socket (14 mm)

Wrench (12 mm)

Ratchet

Torque wrench

## TORQUE CHART

Tighten all screws, bolts, and nuts to their specified torque values. Refer to the Service Manual for the torque values of the removed parts.

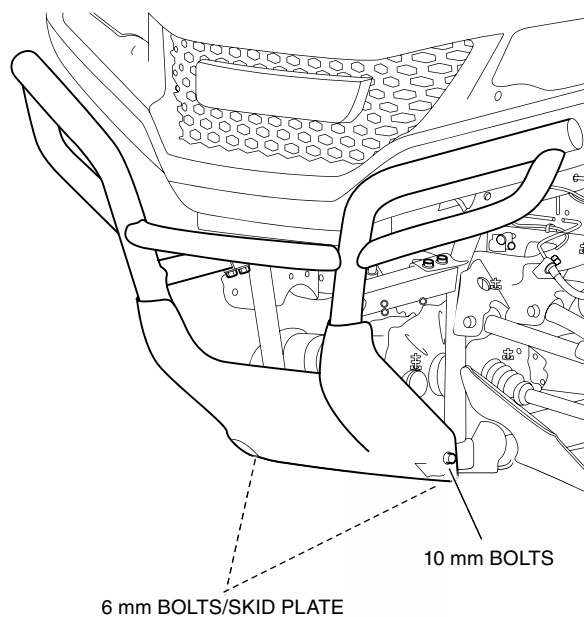
Item	N·m	kgf·m	lbf·ft
8 mm bolt	18	1.8	12.5
10 mm bolt	39	4.0	28.8

## USE AND CARE INFORMATION

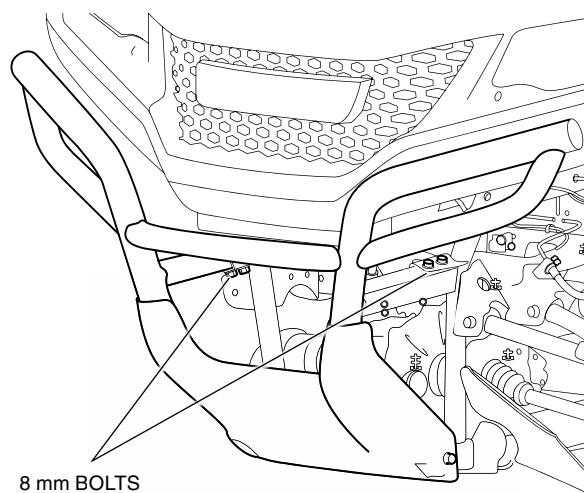
- Check the accessory mounts frequently and retighten if necessary.

## INSTALLATION

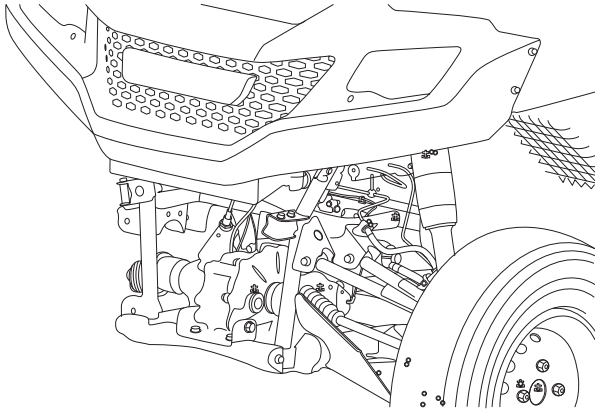
1. Remove the two 6 mm bolts from the vehicle skid plate.
2. Remove the two lower 10 mm bolts from the vehicle bumper.



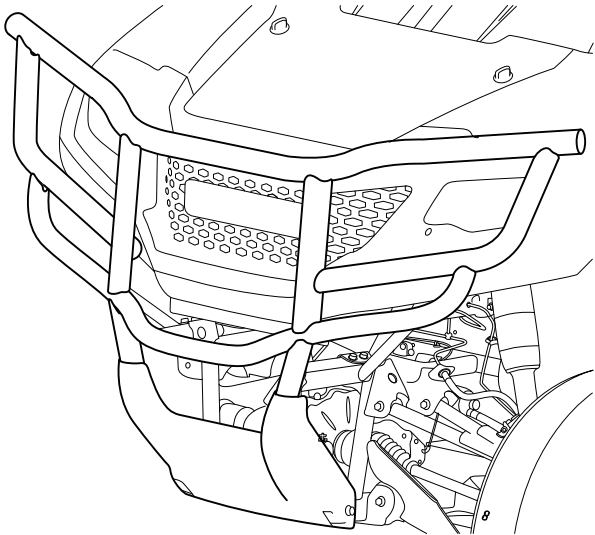
3. Remove the four upper 8 mm bolts & nuts from the vehicle bumper.



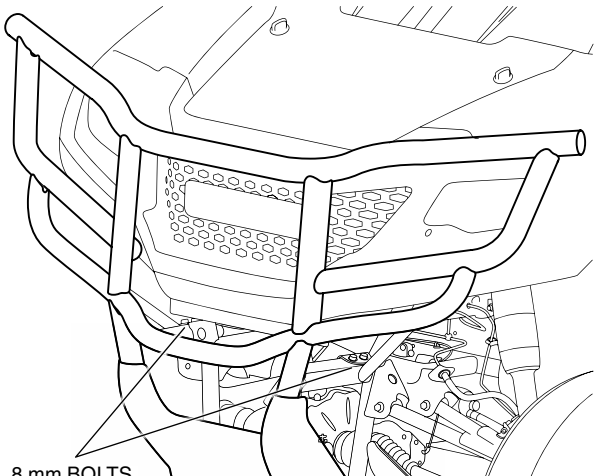
4. Remove the vehicle bumper.



5. Place the accessory front bumper in the position shown.



6. Reinstall and tighten four upper 8 mm bolts & nuts to the torque specified in the torque chart.



8 mm BOLTS  
(Reuse)

7. Reinstall and tighten two lower 10 mm bolts to torque specified in the torque chart.  
8. Reinstall the two 6 mm bolts to the skid plate and tighten them securely.

